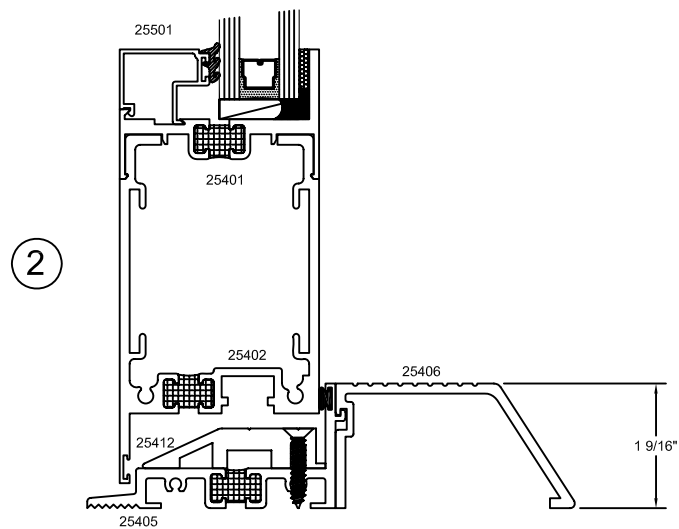
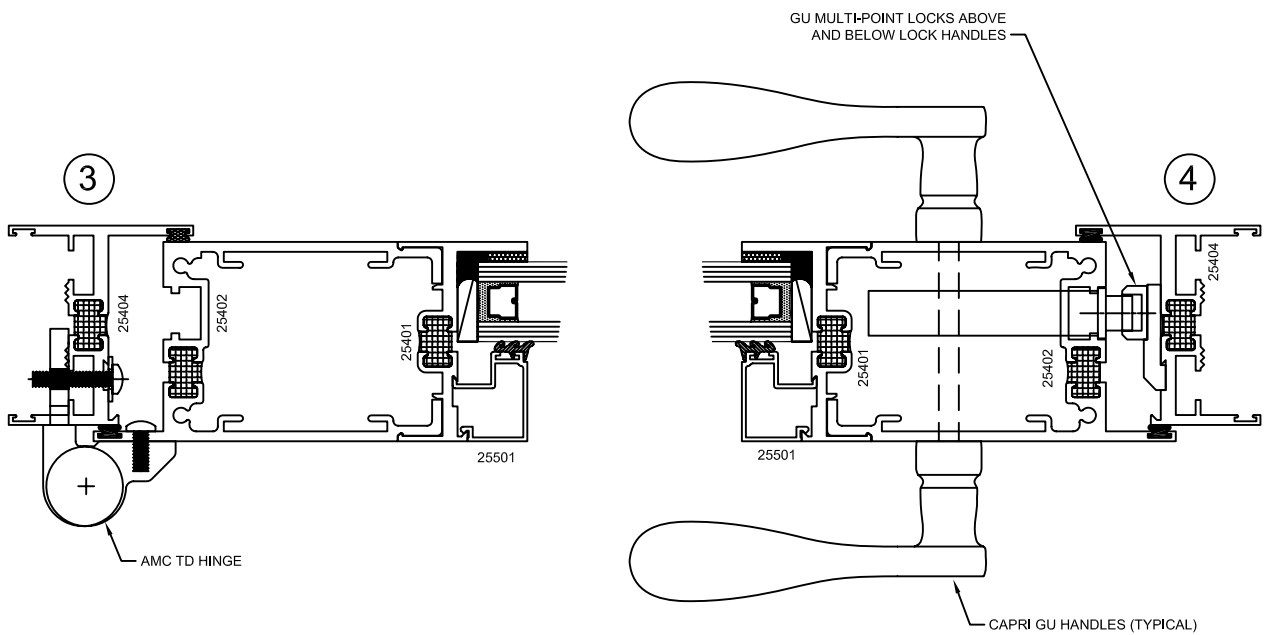
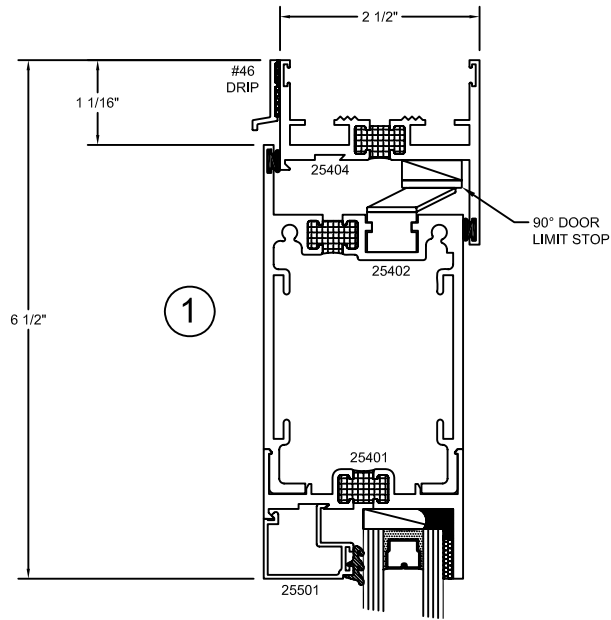
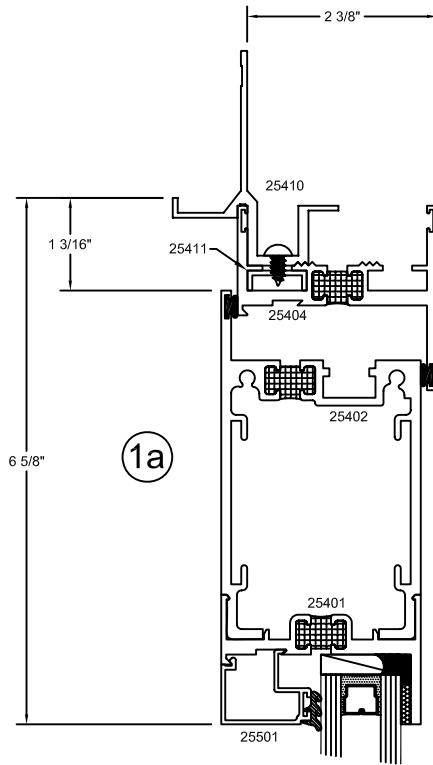


The TORRANCE ALUMINUM Series 900 Architectural Terrace Door is a high performance 2 1/2" swing door with great aesthetic qualities.

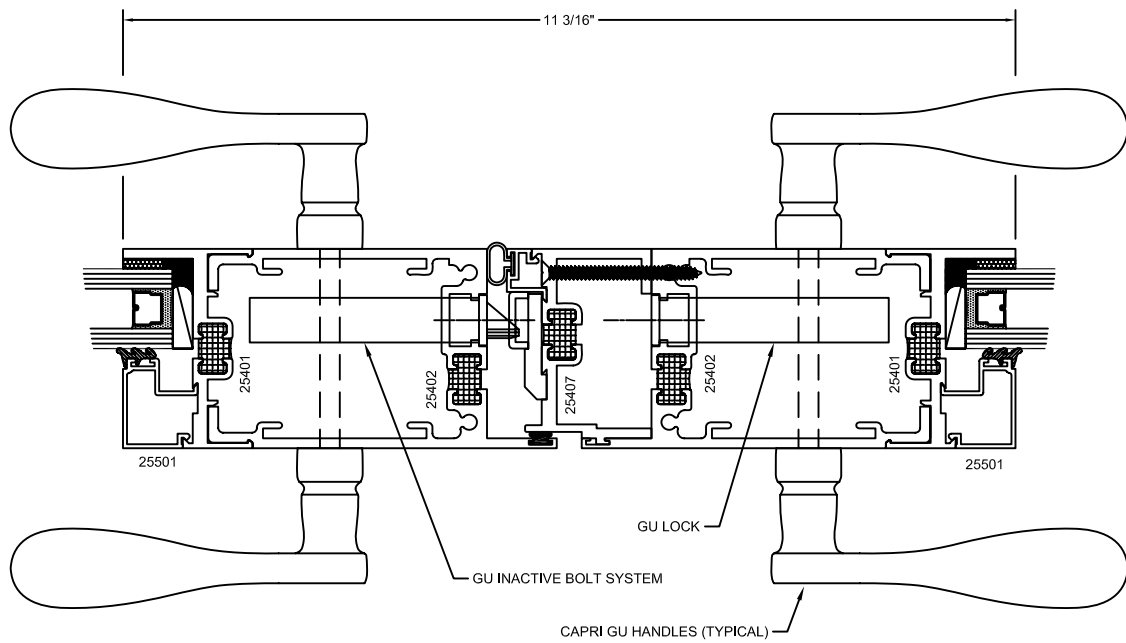
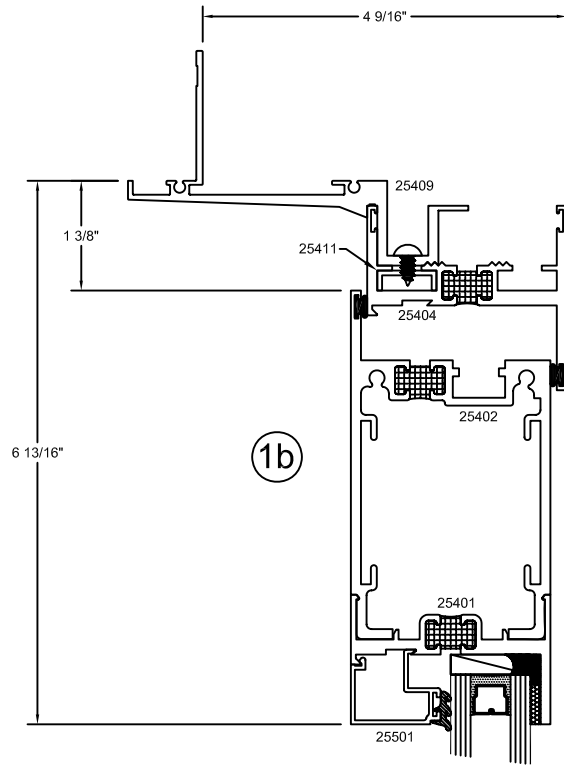
The Series 900 Architectural Terrace Doors utilizes multi-point locking hardware on both single and pairs of doors. They can be manufactured as outswing or inswing terrace doors and can be inside or outside glazed. A wide variety of levers and escutcheons are available in 8 different finishes. These doors will accept 5/8" to 1 1/2" insulated unitglass panels.



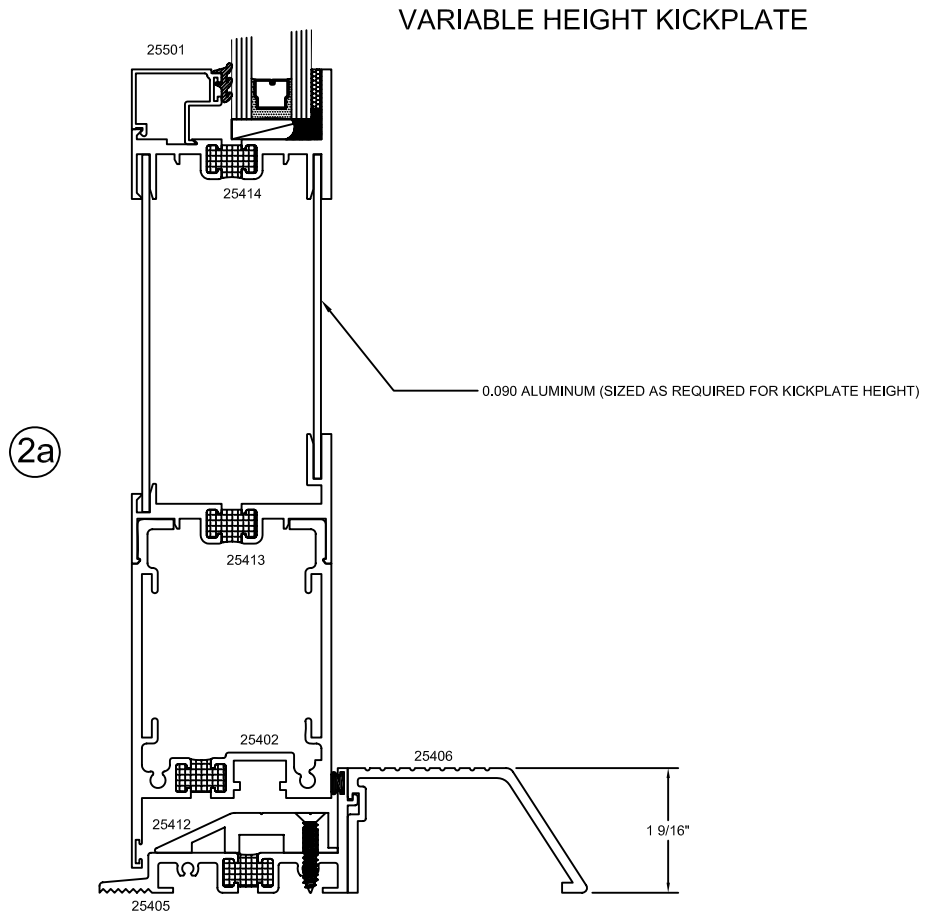
OPTIONAL NAIL-ON FIN
FOR HEAD AND JAMBS

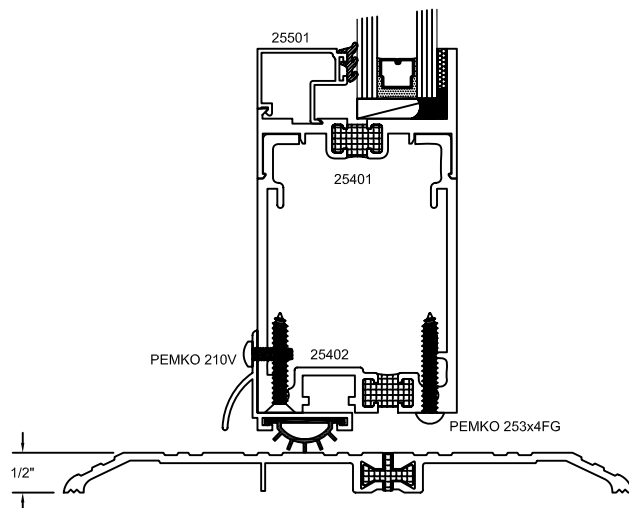
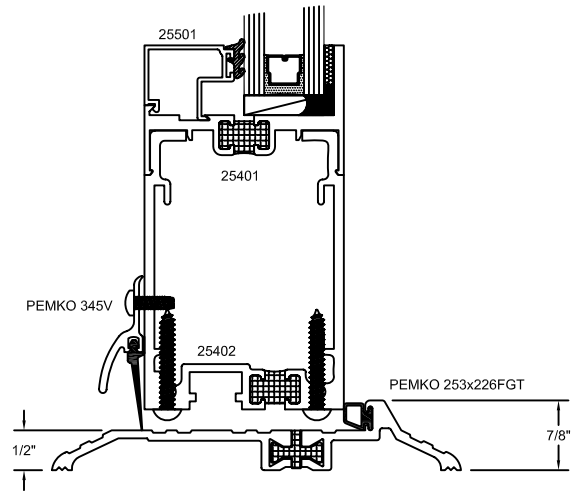
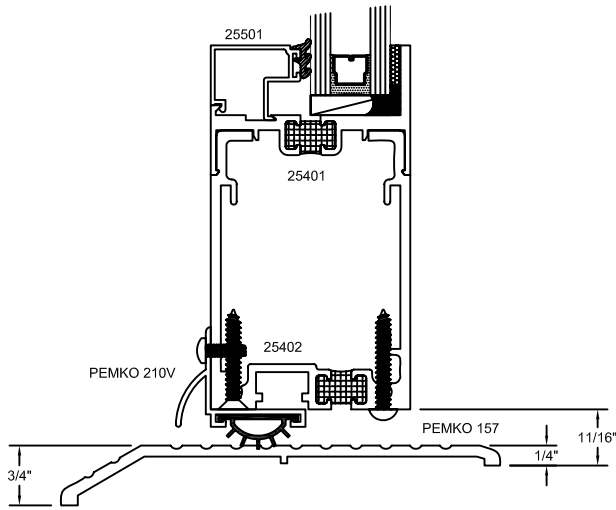


OPTIONAL DEEP NAIL-ON FIN
FOR HEAD AND JAMBS

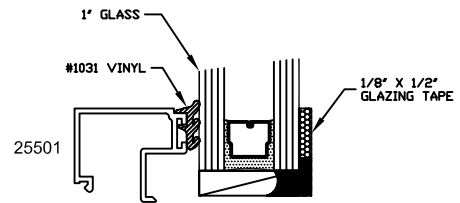
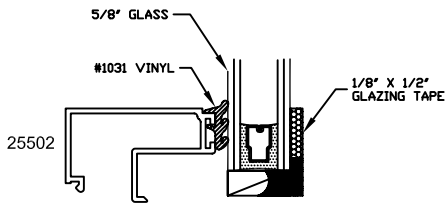


5





SQUARE GLAZING BEADS



SLOPED GLAZING BEADS

