

TORRANCE ALUMINUM

2/23/05

SERIES 600 (HS-HC40) HORIZONTAL SLIDING WINDOW

Page 1 of 3

A RECOMMENDED SPECIFICATION

Section 08525 – Sliding Aluminum Windows

PART 1: GENERAL

1.01 WORK INCLUDED

- A. The conditions of the contract and applicable sections of division 1 hereby form a part of this section. Provide all labor, materials, tools, equipment and services to furnish and install sliding aluminum glass windows and related components as shown on drawings and specified herein.

1.02 PERFORMANCE REQUIREMENTS

- A. General
1. Provide certified independent laboratory test reports in full accord with section 1.03 paragraph C below.
 2. Sliding windows and component structural tests shall equal or exceed “Voluntary guide specifications for Aluminum Architectural Windows” as published by AAMA/NWWDA 101 I.S. 2-97 unless more stringent requirements are specified.
- B. Test Units
1. Perform all tests unless otherwise noted on projects largest size window or, to equal or exceed requirements set forth in AAMA 101-97., Sect. 2.2.19.4.
- C. Test Procedures
1. Air Infiltration Test (Perform before Water Test)
 - (a) Air Infiltration maximum 0.3 cfm per square foot at 6.24 psf pressure differential when tested in accordance with ASTM E283-99.
 2. Water Resistance Test
 - (a) No uncontrolled water leakage shall occur at 6 psf pressure differential with water rate 5 gallons/hr./sf. when tested in accordance with ASTM E331-00.
 3. Uniform Load Deflection test
 - (a) No glass breakage, permanent damage to fasteners, hardware parts, or damage to make window inoperable or deflection of any unsupported span (meeting rails, frames, mullions, etc.) in excess of L/175 at both a positive and negative load of 60 psf (*design wind pressure) when tested in accord with ASTM E330-97
 4. Uniform load structural test
 - (a) Unit to be tested at specified wind pressure, both positive and negative, acting normal to plane of wall in accord with ASTM E330-97.
 - (b) No Glass breakage, permanent damage to fasteners, hardware parts, or damage to make windows inoperable or permanent deformation of any main frame or sash section in excess of 0.4% of it's span.
 5. Sound transmission loss test
 - a) Acoustical performance shall be in accordance with ASTM E90-99. Minimum STC-39 required.

1.03 SUBMITTALS

- A. Shop Drawings/ Samples
1. Shop drawings complete and full scale where practical showing construction and components, dimensions and details.
 2. Samples of anodized aluminum finishes shall be submitted on 6” sections of aluminum as required.
 3. Samples of painted aluminum finishes shall be submitted on manufacturer’s standard paint chips.
- B. Test Reports/ Calculations (Optional)
- C. Certified independent laboratory test reports verifying compliance with all test requirements of section 1.03, Paragraph C above.

* Design wind pressure obtained from ANSI A58.1, local building codes or specific boundary layer wind tunnel data.

1.04 WARRANTY

- A. Aluminum windows and related materials: One year warranty on materials and workmanship.
- B. Glass: One year warranty of thermal and physical integrity of insulated glass units.
- C. Factory Glazing (Optional when Applicable).
- D. Panels are designed to receive up to 1” thick, single or dual-glazed glass, by use of marine type glazing vinyl.

TORRANCE ALUMINUM

2/23/05

SERIES 600 (HS-HC40) HORIZONTAL SLIDING WINDOW

Page 2 of 3

PART 2: PRODUCTS

2.01 QUALITY ASSURANCE

- A. Products of Torrance Aluminum, Perris, CA, Tel (951) 943-0430 are approved for use.
- B. Other manufacturers desiring approval to bid must furnish certified test reports indicating full compliance with section 1.03, Paragraphs A, B & C and all other requirements of this specification 30 days prior to bid date.
- C. Manufacturers shall have been engaged in the manufacture of aluminum sliding windows of monumental grade not less than 10 years.

2.02 MATERIALS

- A. Aluminum sliding windows and Components
 1. Extruded aluminum prime billet 6063T5, aluminum sheet 5005H34.
 2. Minimum principal window member wall thickness shall be .062", Structural panel members are .075.
 3. Minimum frame depth front to back shall be 2 7/8".
- B. Hardware-General
 1. All steel components 300 series stainless steel.
 2. All aluminum components shall be 6063T5 (T6).

2.03 FABRICATION

- A. General
 1. Fabricate and shop assemble frame and panel members into complete units under responsibility of one manufacturer. Perimeter frame is a one-section design. Corners are accurately mitered to form compatible joining of side jambs to head. Method of joinery shall be screw fastening in a raceway. Frame interlocks are tubular design which contains polypropylene pile with center fin seal 270 for continual vertical weather protection. Interlocks wedge to each other to create a structural mullion.
- B. Glass Drainage
 1. Provision shall be made to insure that water will not accumulate and remain in contact with the perimeter areas of sealed insulating glass.
- C. Hardware
 1. Sliding panels are equipped with surface mounted pull handle & spring bolt with stainless steel keeper. Sliding panels are equipped with 1 1/4" diameter sealed ball bearing steel rollers.
- D. Weatherstripping
 1. Panels and interlocks use a weather pile with polypropylene centered fin for maximum weather tightness. The weather pile is positioned on opposite sides of each panel perimeter member, and extends the full length of each member meeting at the miter joint to form a continual weather seal.
- E. Finish
 1. Finish of all exposed areas of aluminum windows and components shall be (choose from below) done in accord with the appropriate AAMA Voluntary Guide Specification shown.

ANODIZED FINISHES

AA M12C22 A31	Clear	.4 Mil, Class II
AA M12C22 A34	Medium Bronze	.4 Mil, Class II
AA M12C22 A34	Dark Bronze	.4 Mil, Class II
AA M12C22 A41	Clear	.7 Mil, Class I
AA M12C22 A44	Medium Bronze	.7 Mil, Class I
AA M12C22 A44	Dark Bronze	.7 Mil, Class I
AA M12C22 A44	Black	.7 Mil, Class I

PAINTED FINISHES

Kynar 500, Electrostatically applied with a minimum of 70% Fluoropolymer Resin, Class I

Color as selected by the Architect from manufacturer's standard colors. Special colors are available.
For detailed specifications and other surface treatments and finishes, contact Torrance Aluminum Window Co.

PART 3: EXECUTION

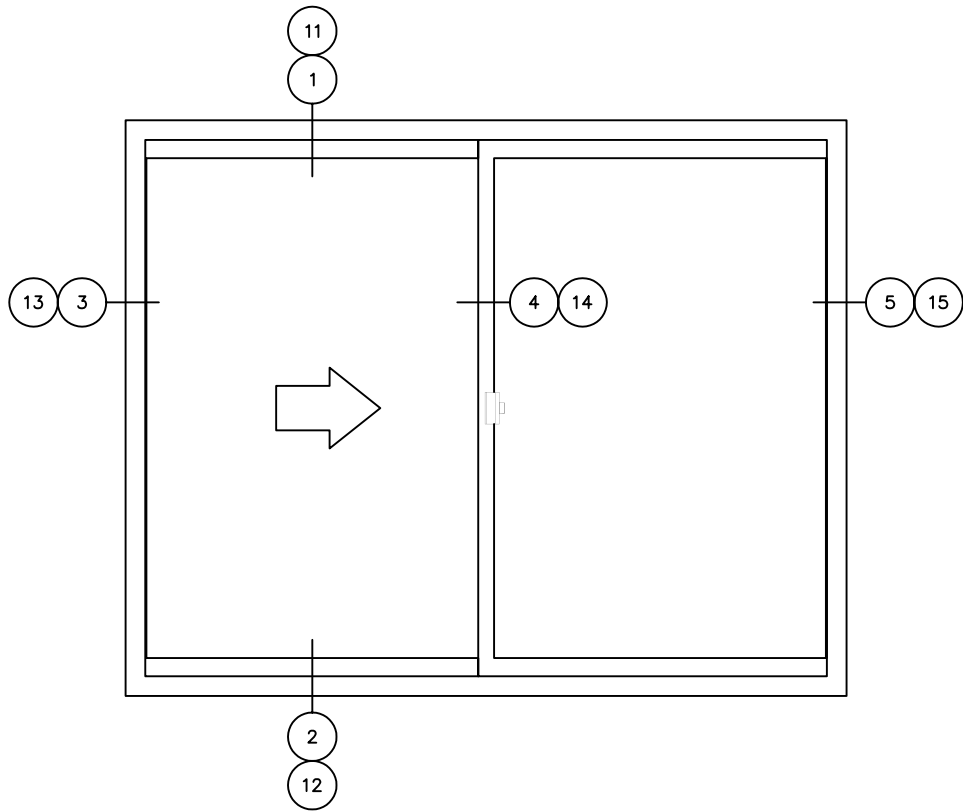
3.01 ERECTION

- A. Install square, plumb and in true alignment and in accord with details and reviewed shop drawings. Surfaces free from dents, buckles, dimples, or other defects.
- B. Anchor frames and other items securely to continuous construction to result in a rigid installation and in accord with Required safety factors. Where anchorage involves other work, provide setting drawings for proper installation.
- C. Seal metal to metal joints to prevent entrance of water except at points where frame members are designed to drain water to the exterior.
- D. At juncture between frames and adjacent materials, seal entire perimeter on both sides. Use sealant and backing Materials as specified in section 07900-Sealants.
- E. Protection of contact surfaces: Protect aluminum surfaces in contact with dissimilar metals or with incompatible Materials such as, concrete and cementitious materials, by painting contact surfaces with bituminous paint before installation or isolate with non-absorptive tape or gaskets.
- F. Expansion and contraction: Install aluminum work so as to avoid objectionable distortion or overstress of parts and Fastenings resulting from thermal expansion and contraction.

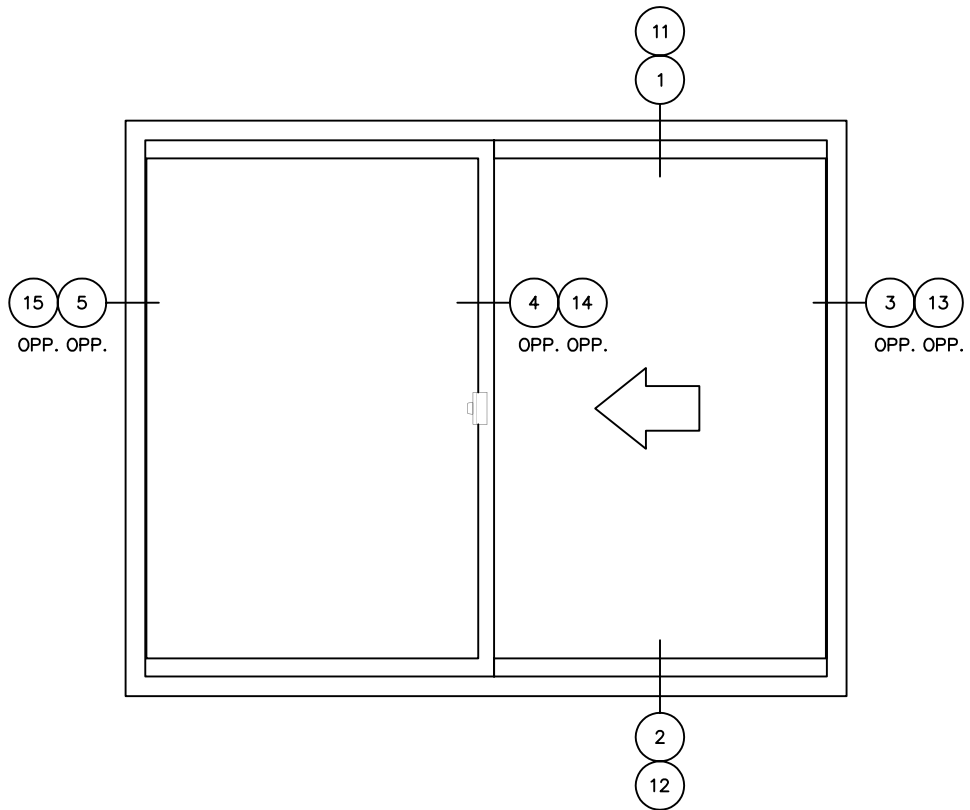
3.02 PROTECTION AND CLEANING

- A. After installation, clean metal and glass surfaces, on both interior and exterior, of all mortar, paint and other contaminants. Use no abrasives. Use mild soap and water.
- B. After cleaning, protect all work against damage until date of Substantial Completion.

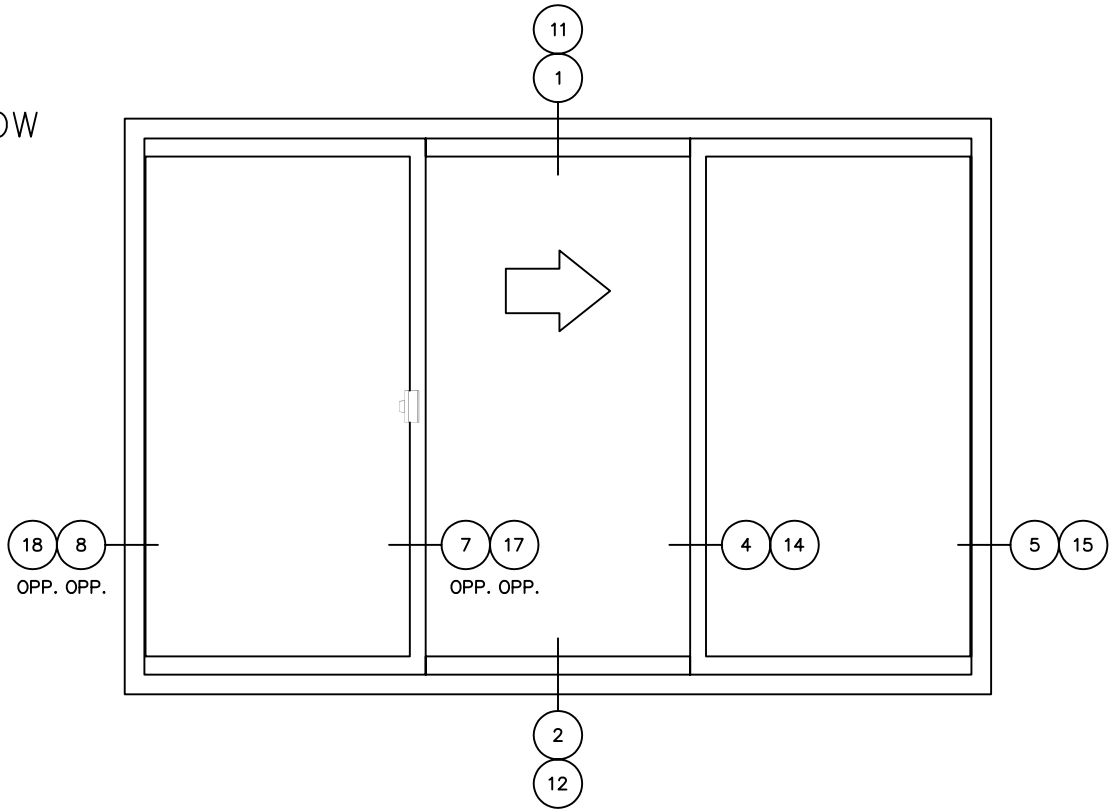
XO WINDOW



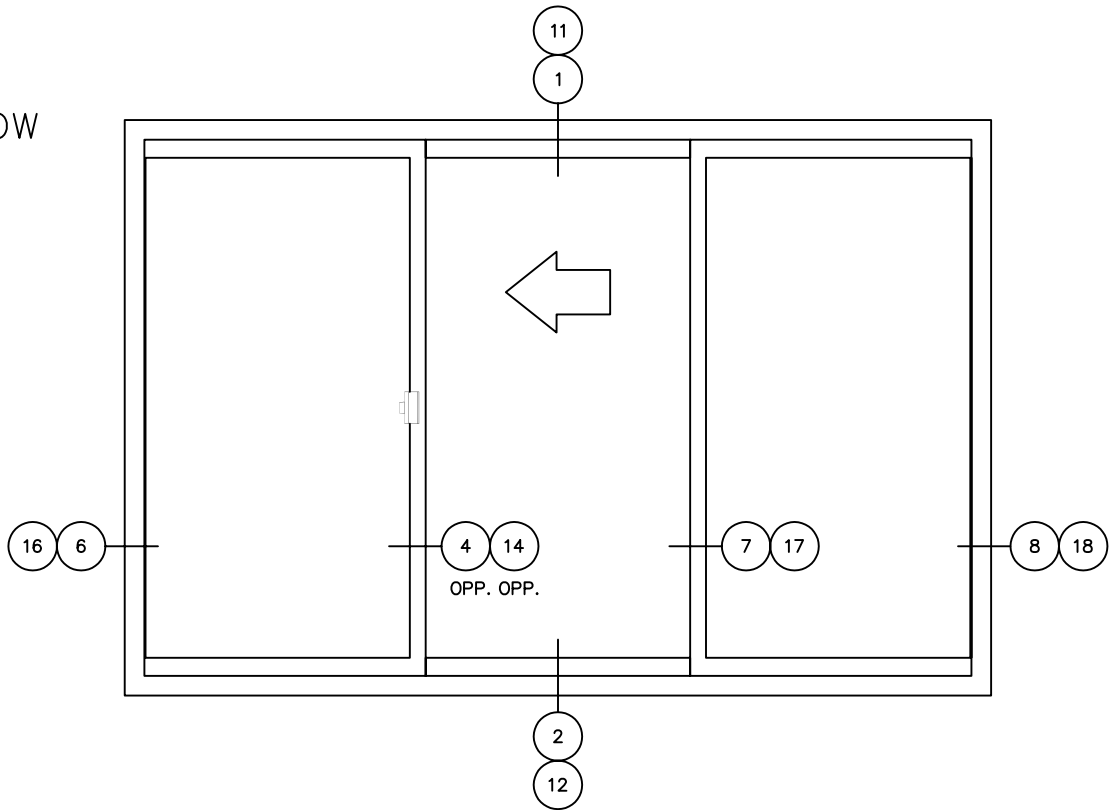
OX WINDOW



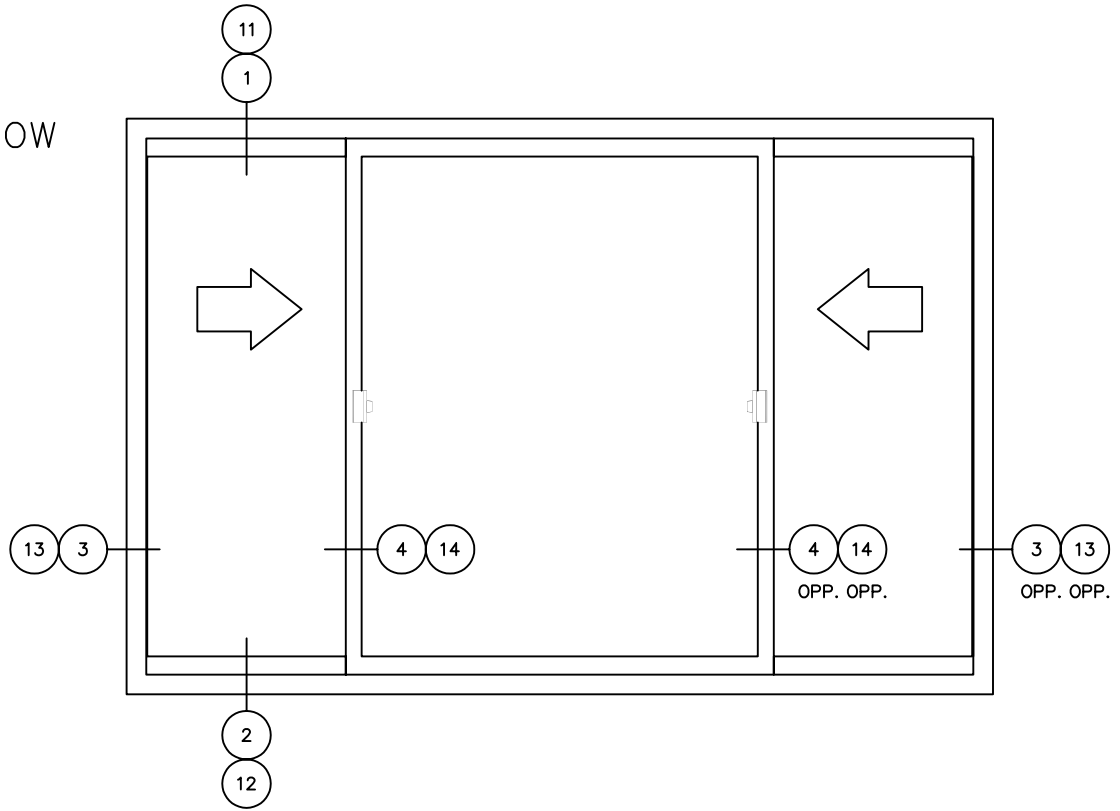
OXO WINDOW



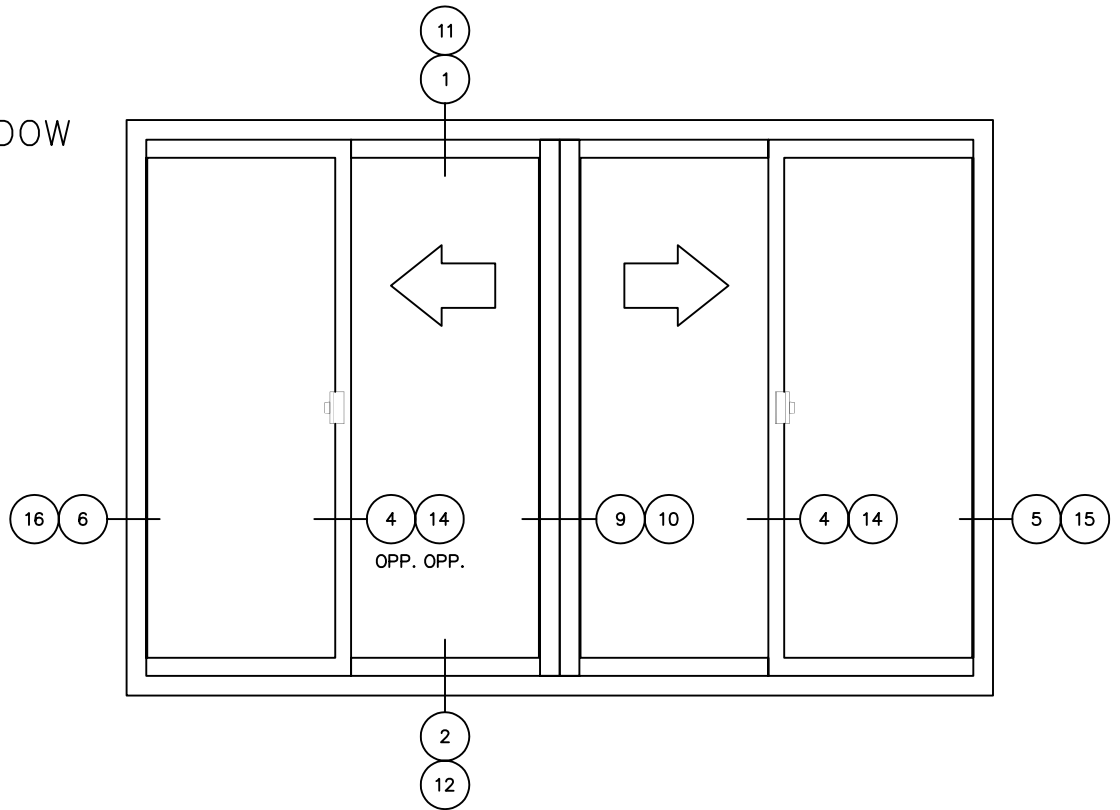
OXO WINDOW



XOX WINDOW

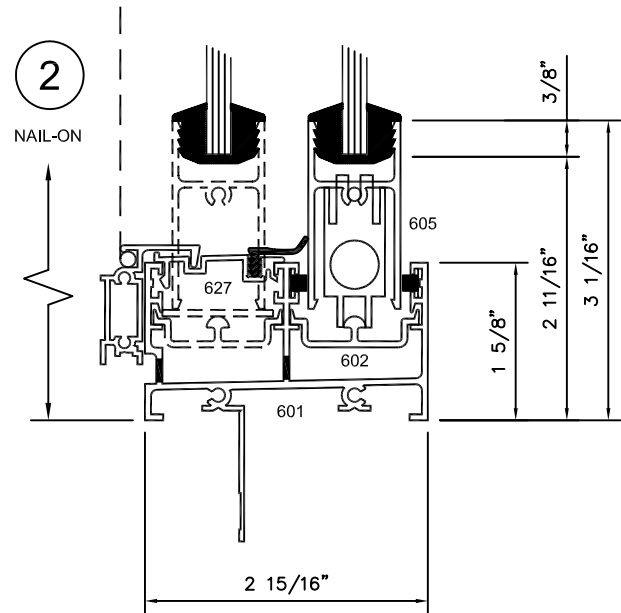
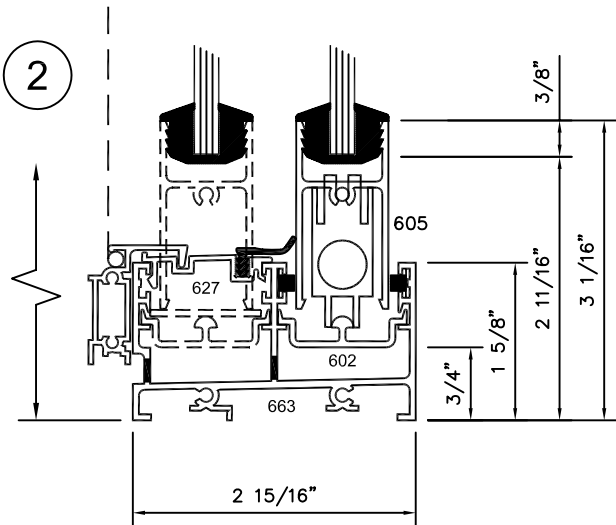
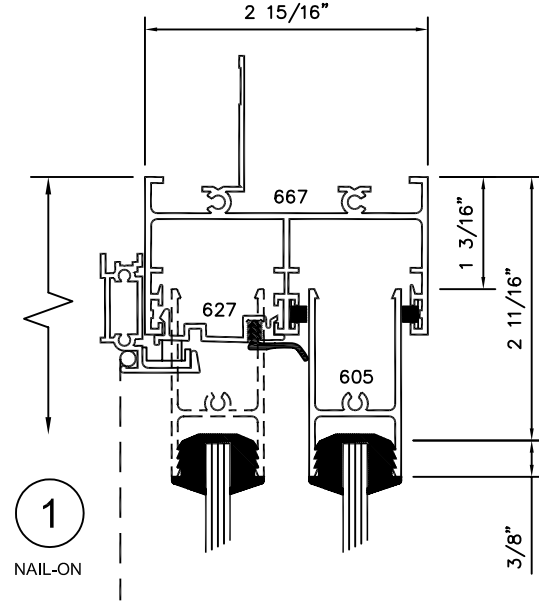
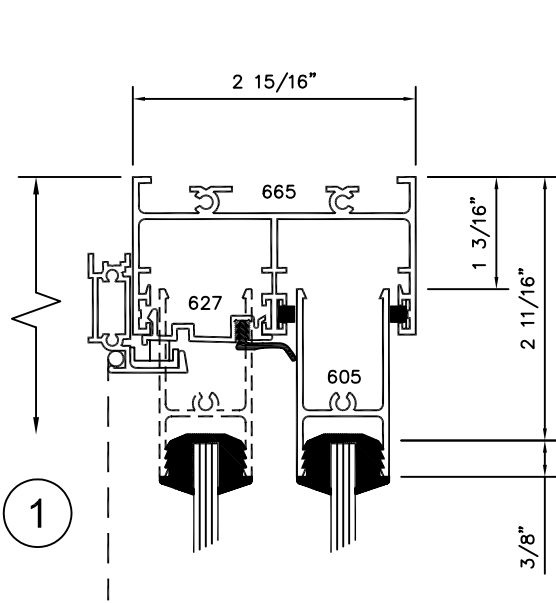


OXXO WINDOW



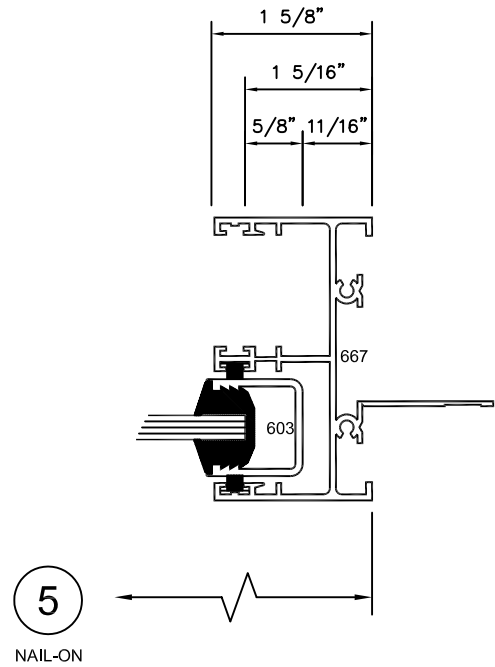
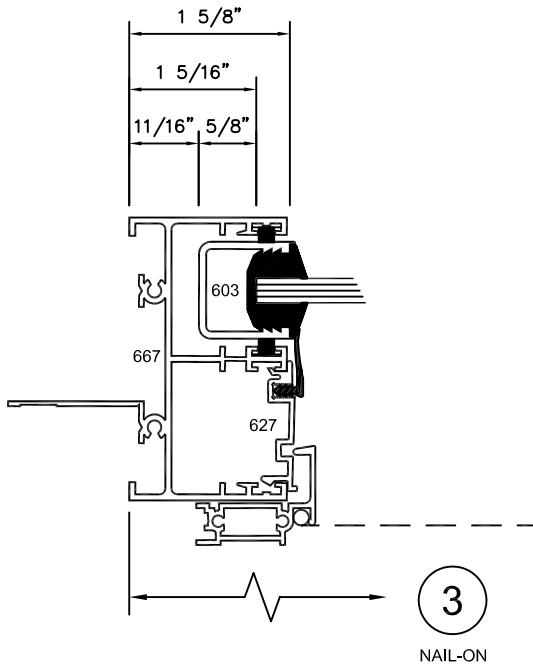
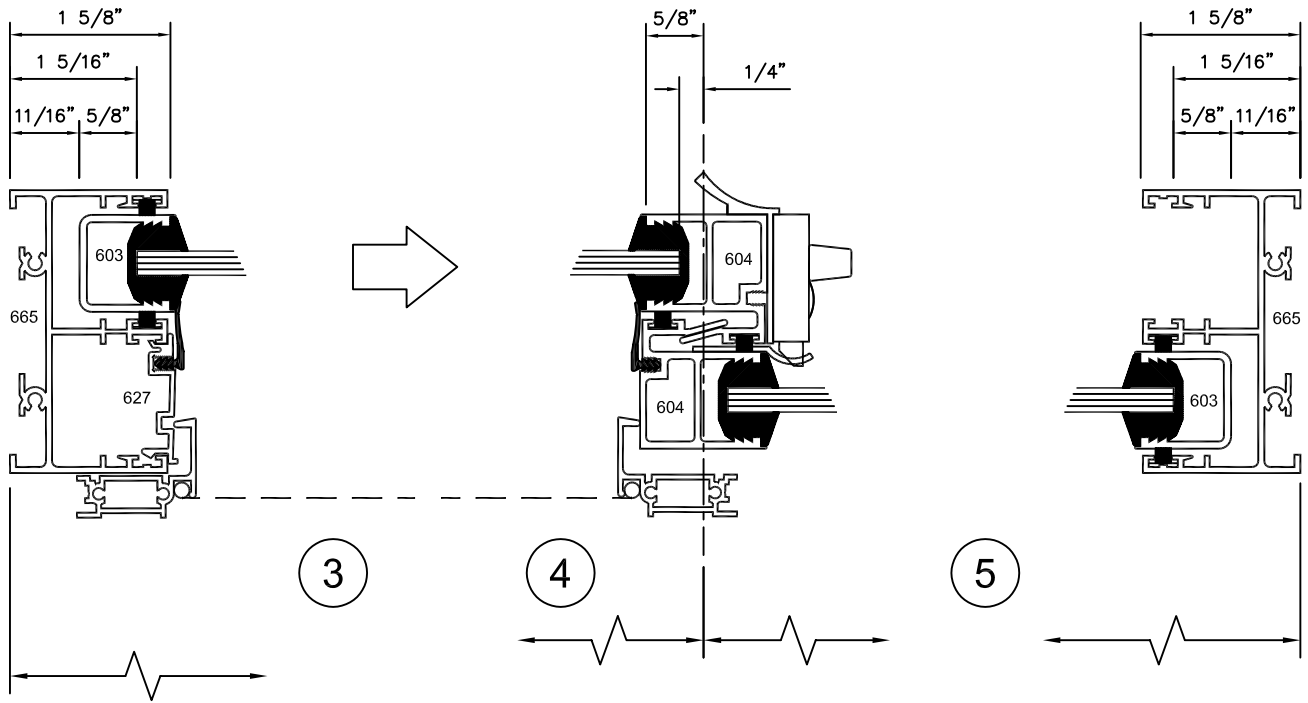
TORRANCE ALUMINUM

SERIES 600 (HC) SLIDING WINDOW DETAILS FOR SINGLE GLAZING



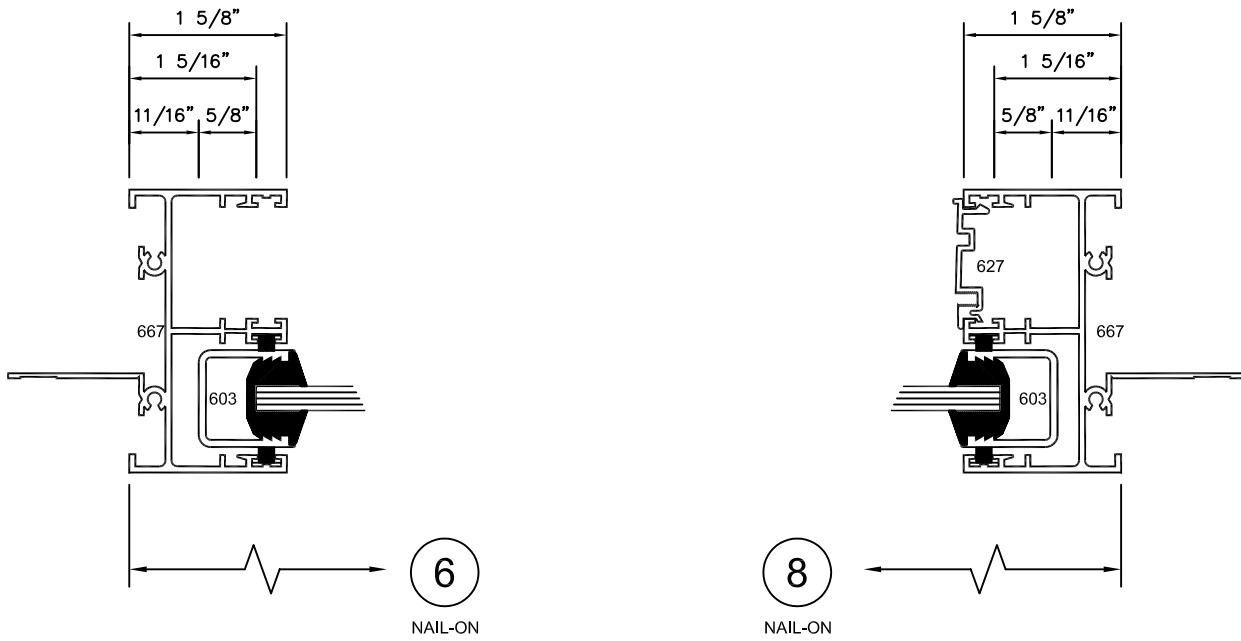
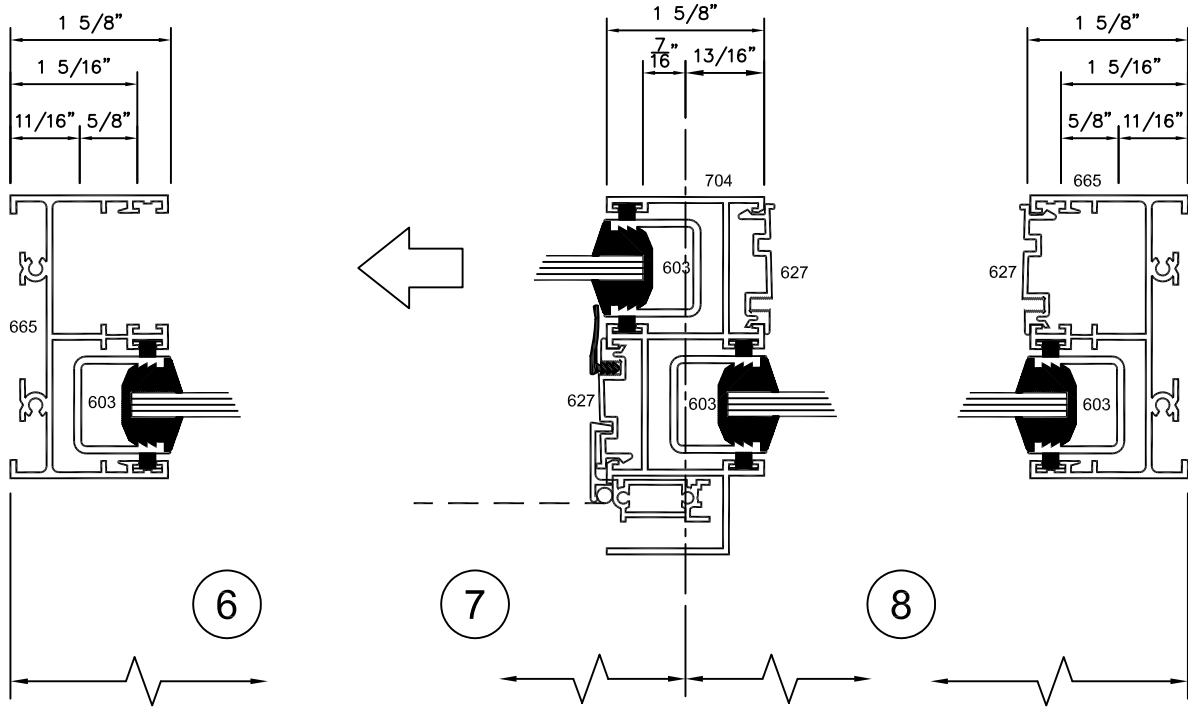
TORRANCE ALUMINUM

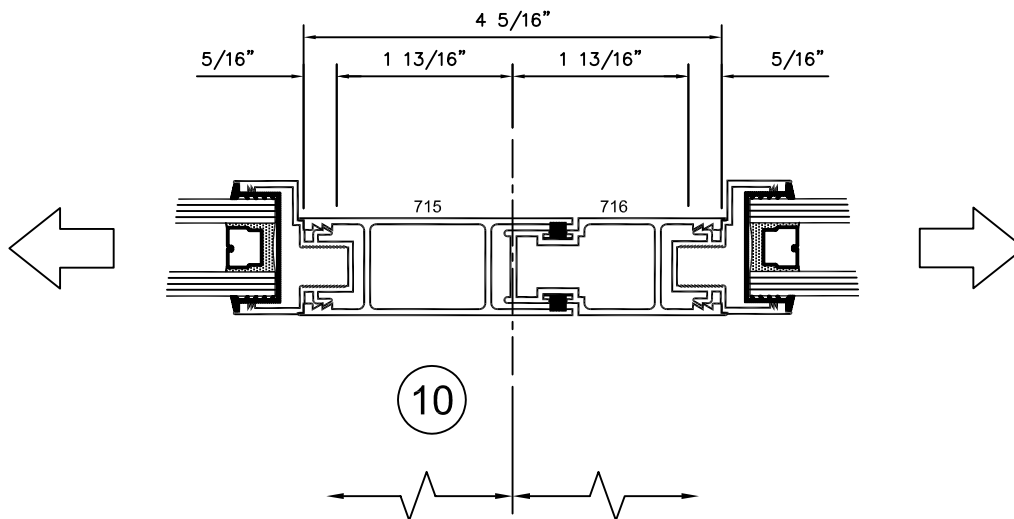
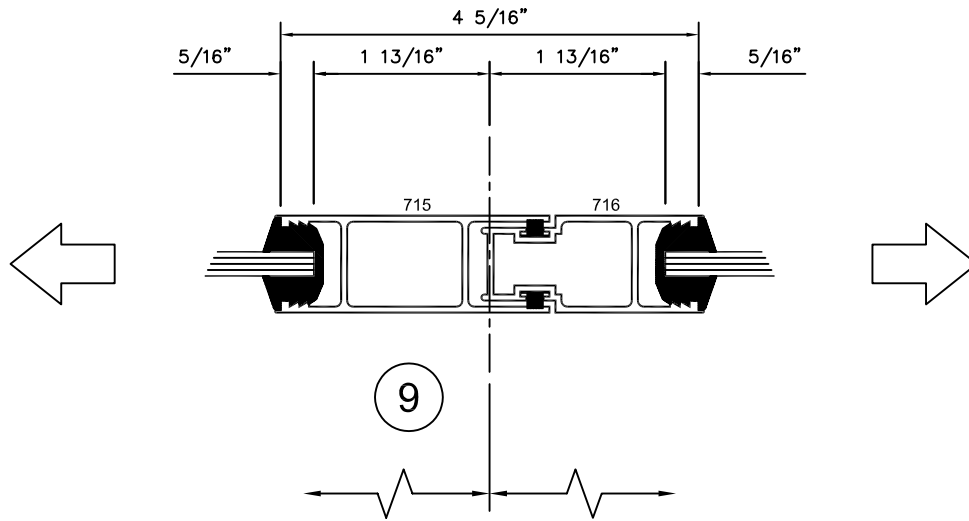
SERIES 600 (HC) SLIDING WINDOW DETAILS FOR SINGLE GLAZING



TORRANCE ALUMINUM

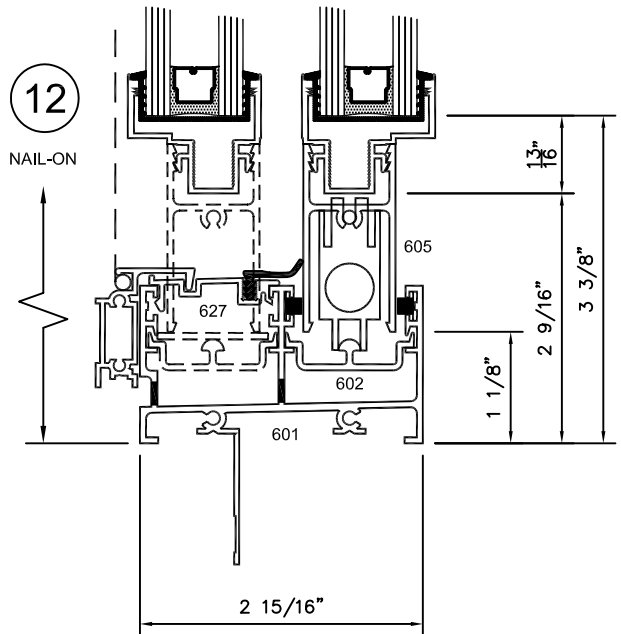
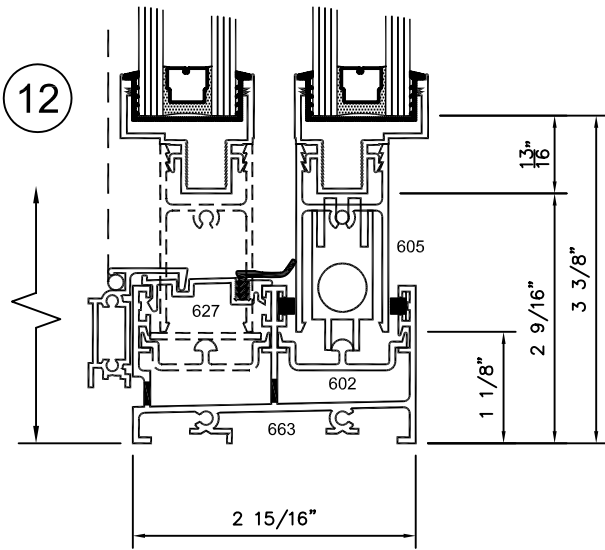
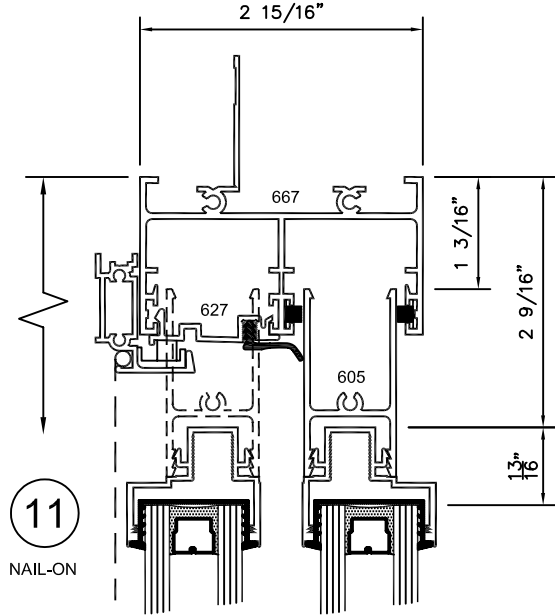
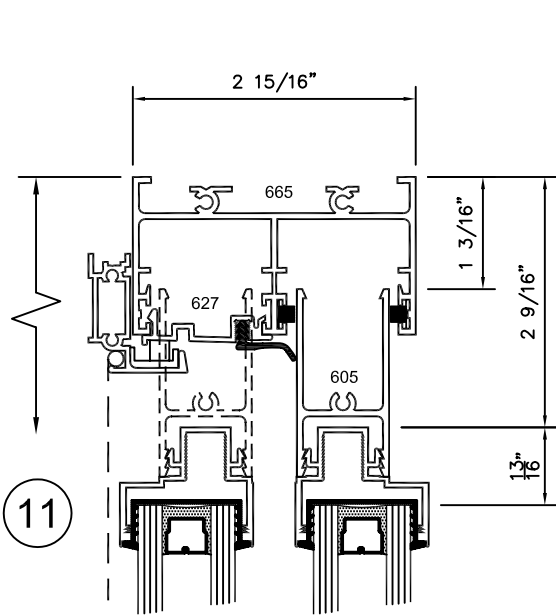
SERIES 600 (HC) SLIDING WINDOW DETAILS FOR SINGLE GLAZING





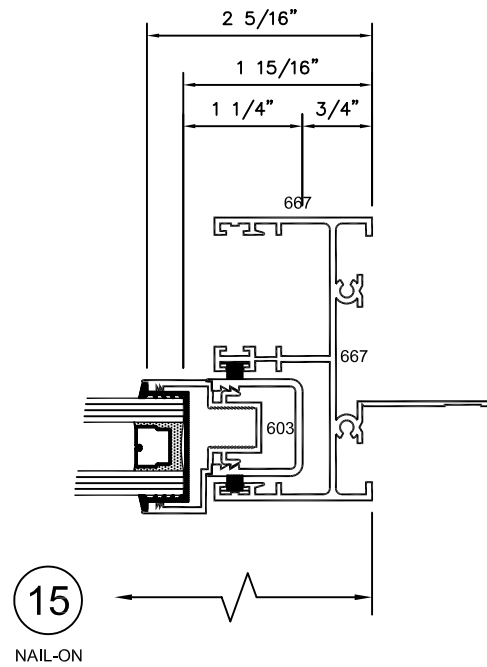
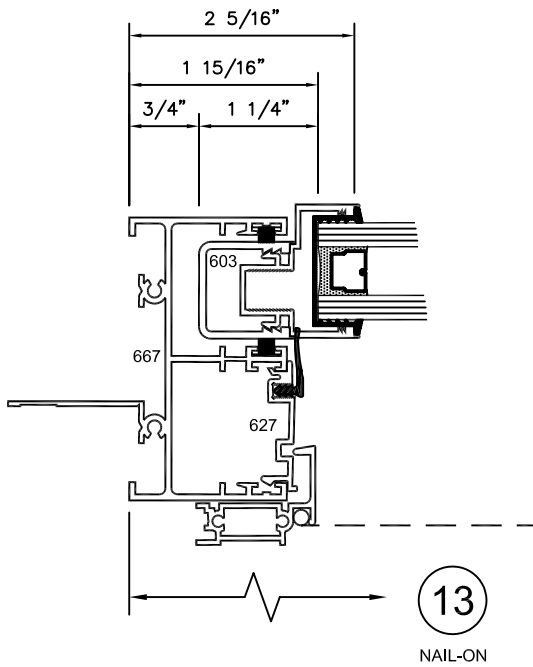
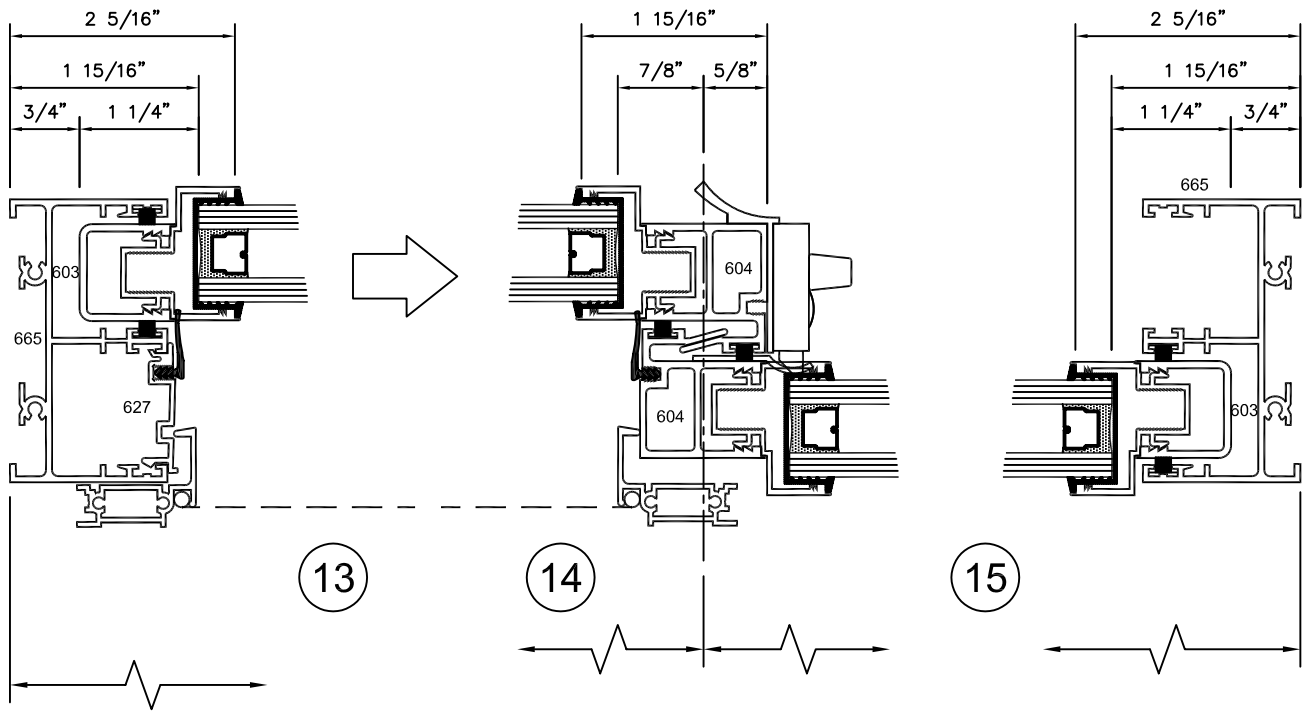
TORRANCE ALUMINUM

SERIES 600 (HC) SLIDING WINDOW DETAILS FOR 1" INSULATED GLASS



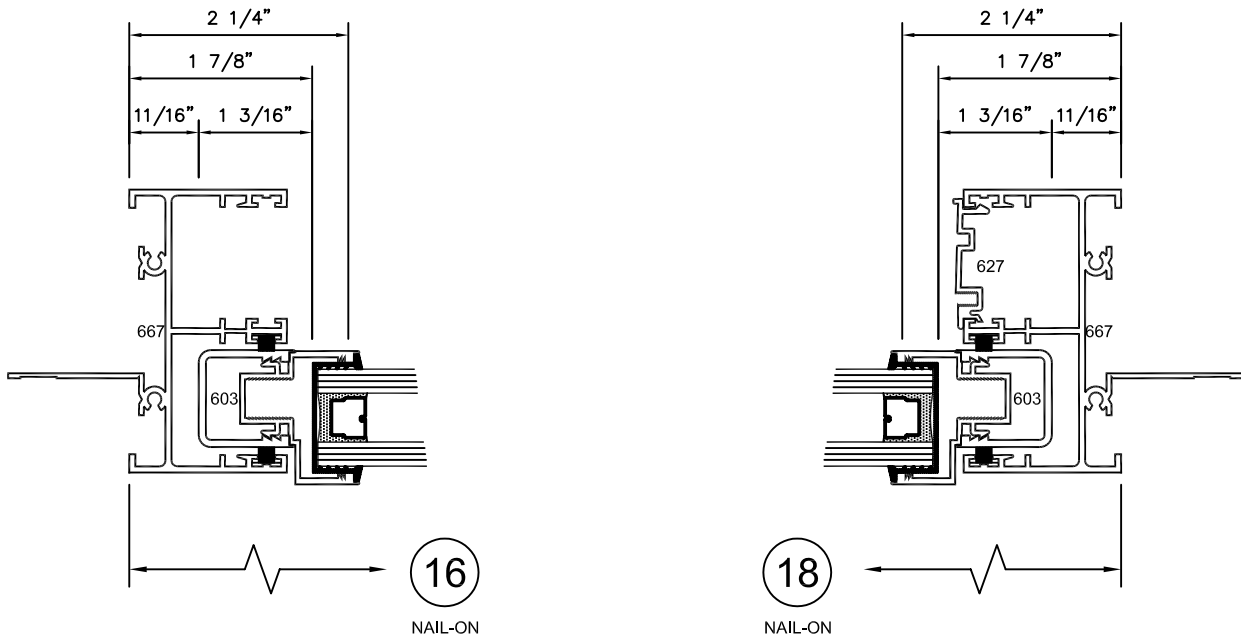
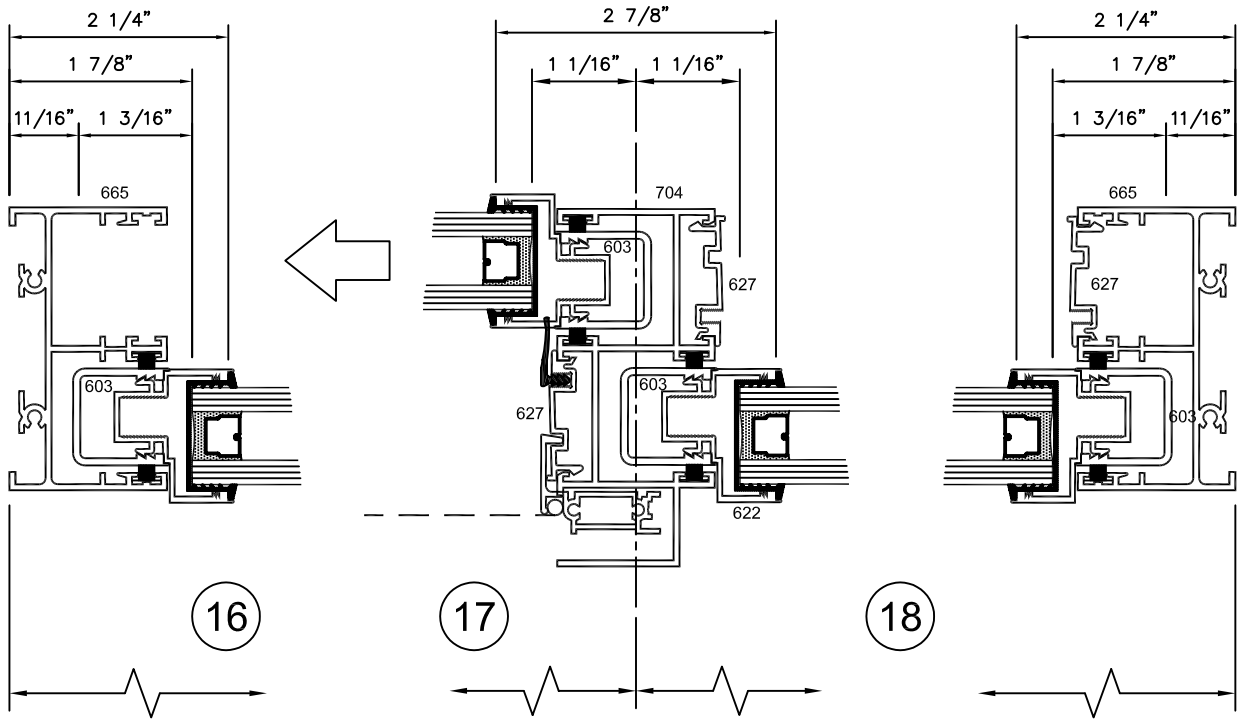
TORRANCE ALUMINUM

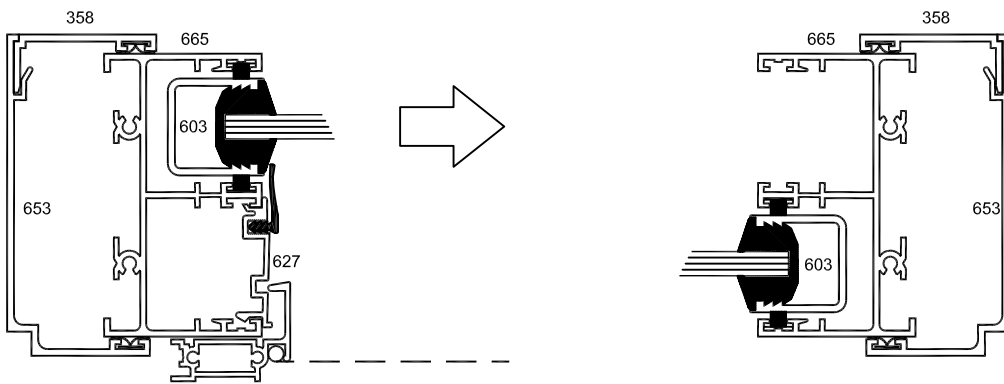
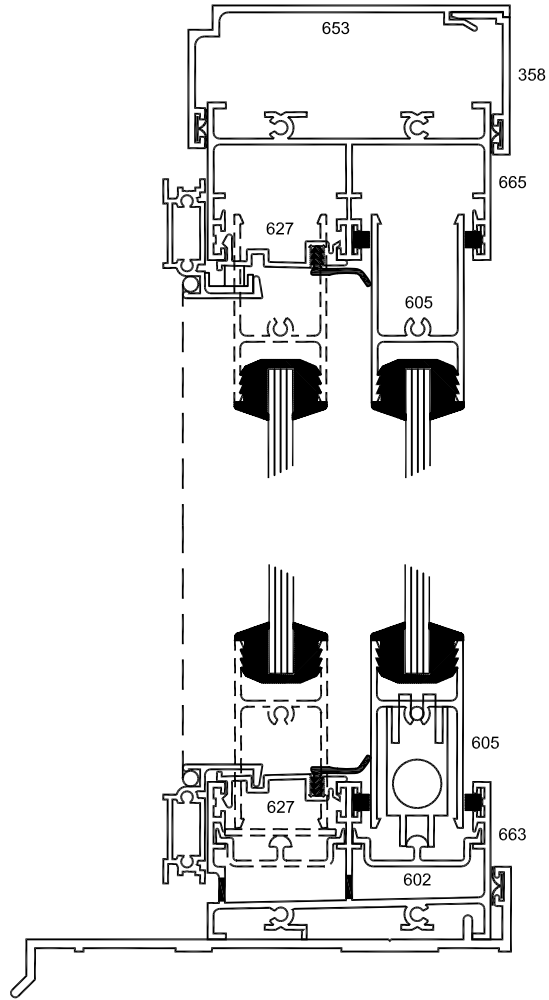
SERIES 600 (HC) SLIDING WINDOW DETAILS FOR 1" INSULATED GLASS



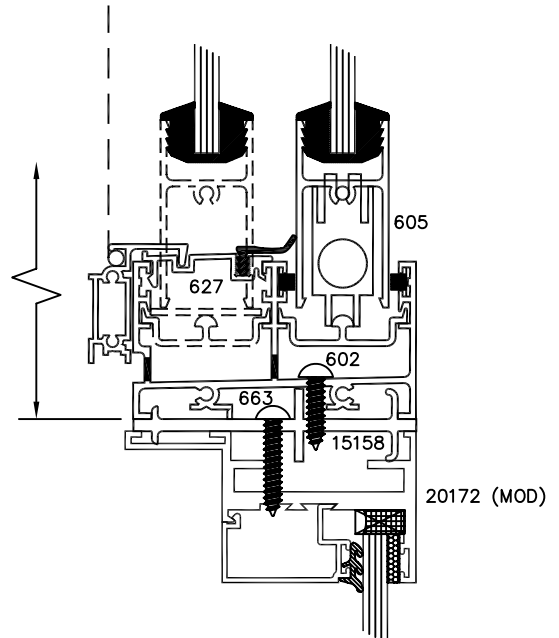
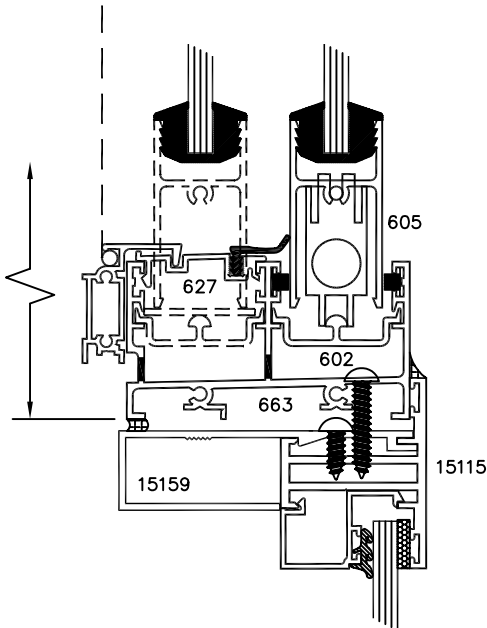
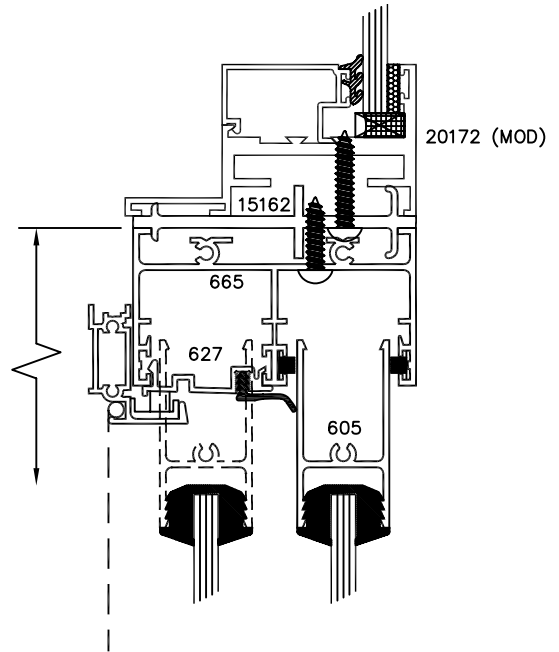
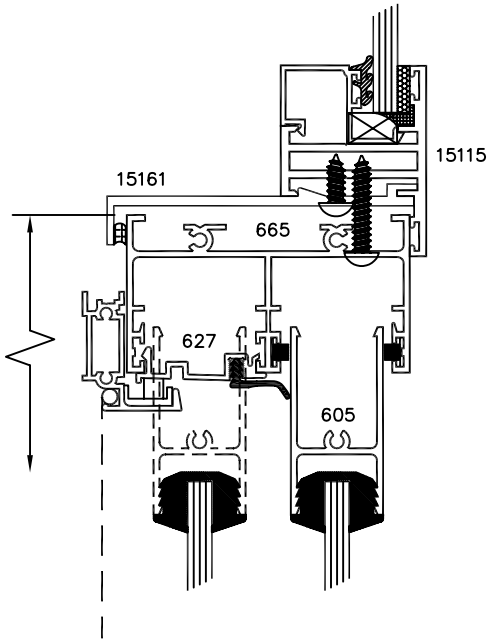
TORRANCE ALUMINUM

SERIES 600 (HC) SLIDING WINDOW DETAILS FOR 1" INSULATED GLASS



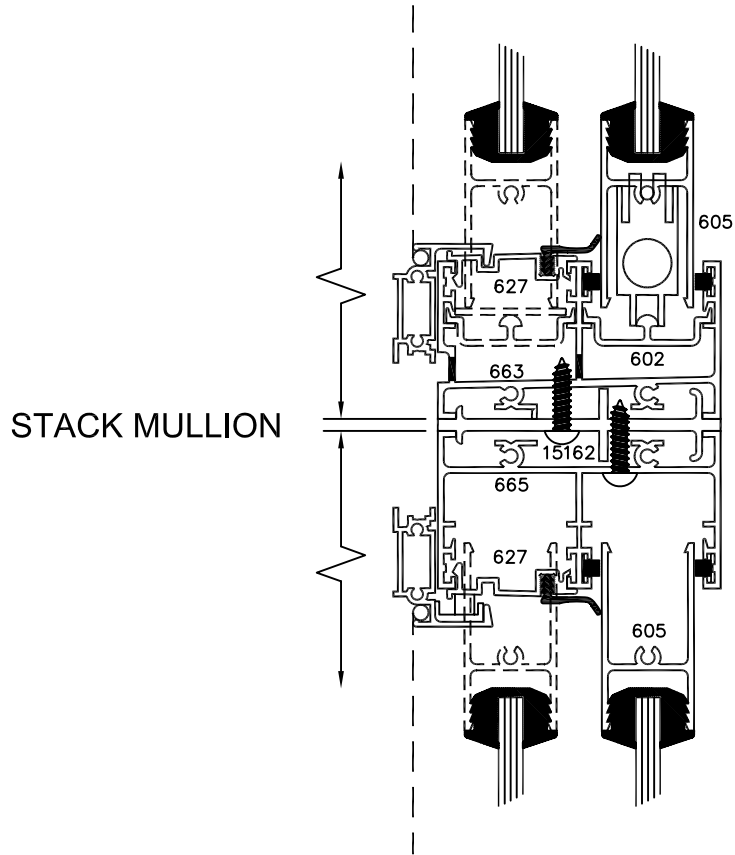


COMP. CHANNEL / SUB-SILL

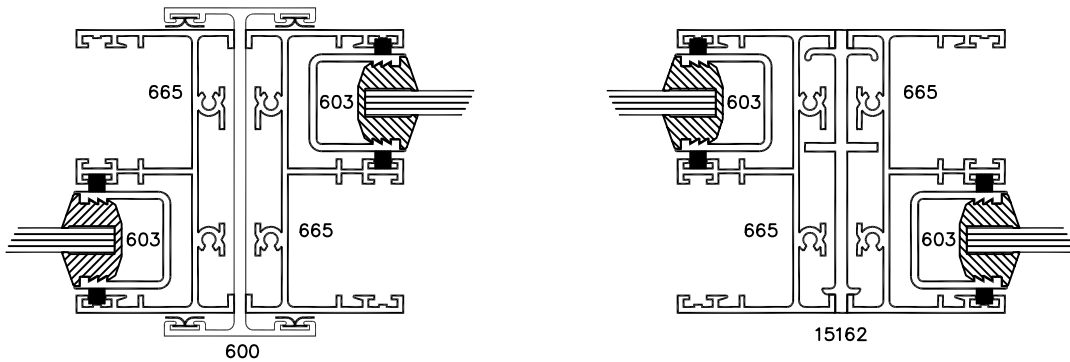


600 SERIES STACKED
WITH 1500 SERIES

600 SERIES STACKED
WITH 2000 SERIES



VERTICAL MULLIONS





1/4" GLASS



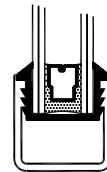
1/4" LAMI GLASS
1/8 GLASS
.030 PVB
1/8 GLASS



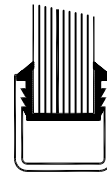
5/16" LAMI GLASS
1/8 GLASS
.060 PVB
1/8 GLASS



5/8" INS. GLASS
3/16 GLASS
1/4 A.S.
3/16 GLASS



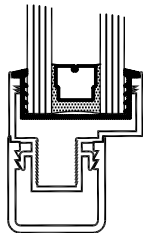
5/8" INS. GLASS
1/8 GLASS
3/8 A.S.
1/8 GLASS



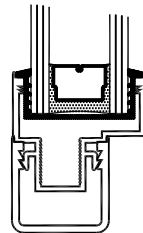
5/8" LAMI GLASS
1/4 GLASS
.030 PVB
3/8 GLASS



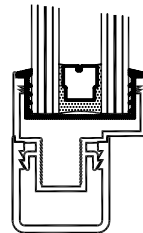
11/16" LAMI GLASS
1/4 GLASS
.060 PVB
3/8 GLASS



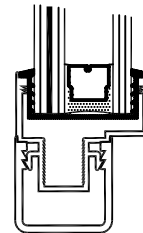
1" INS. GLASS
1/4 GLASS
1/2 A.S.
1/4 GLASS



1" INS. GLASS
3/16 GLASS
5/8 A.S.
3/16 GLASS



1" INS. LAMI GLASS
1/8 GLASS
.030 PVB
1/8 GLASS
7/16 A.S.
1/8 GLASS
.030 PVB
1/8 GLASS



1" INS. LAMI GLASS
1/8 GLASS
.060 PVB
1/8 GLASS
1/2 A.S.
3/16 GLASS

STC 39

