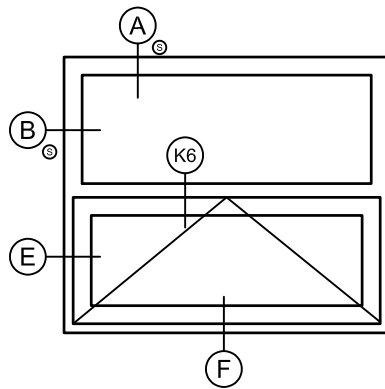
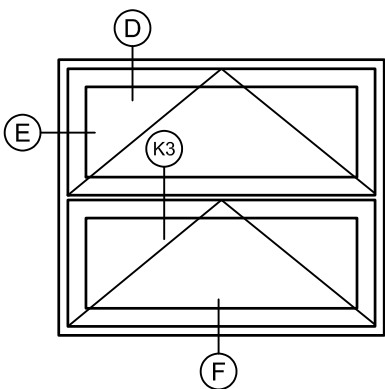
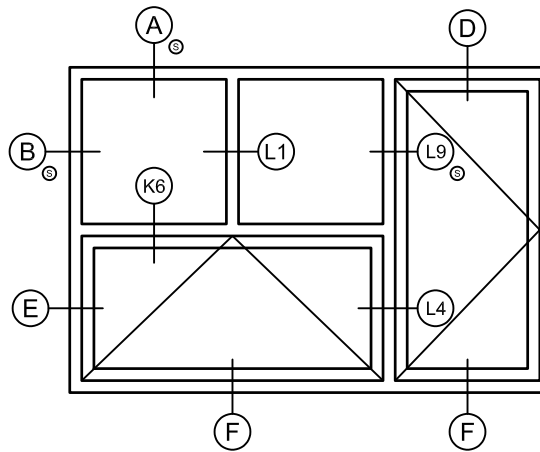
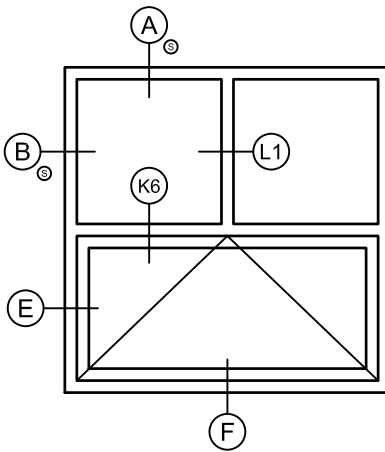
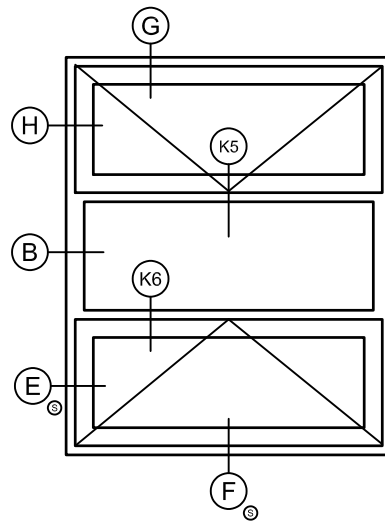
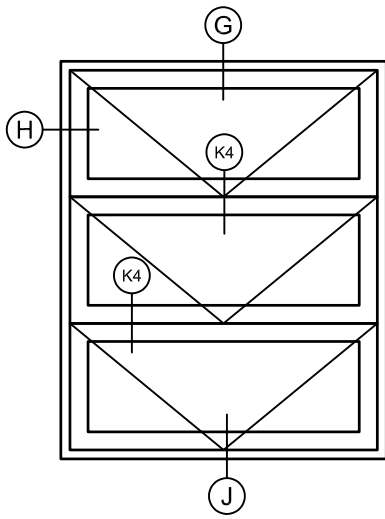
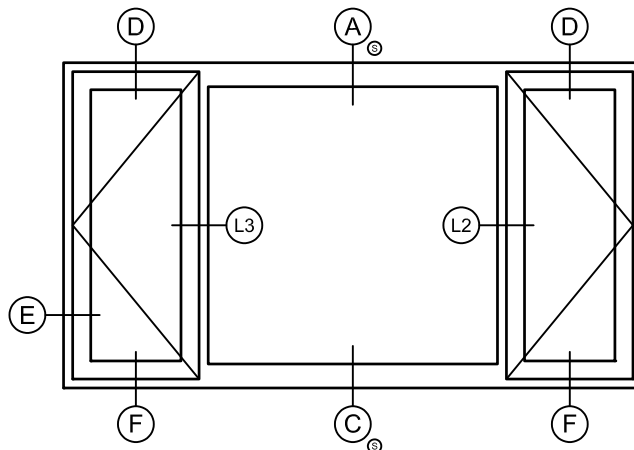
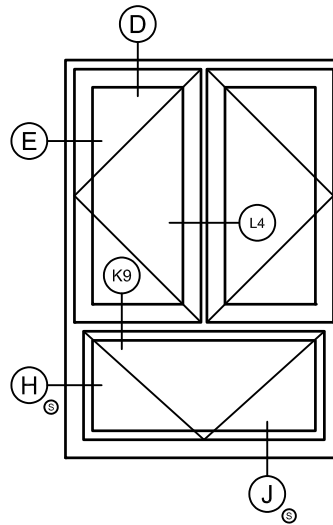
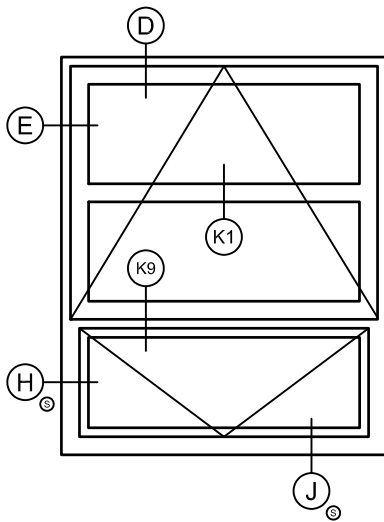
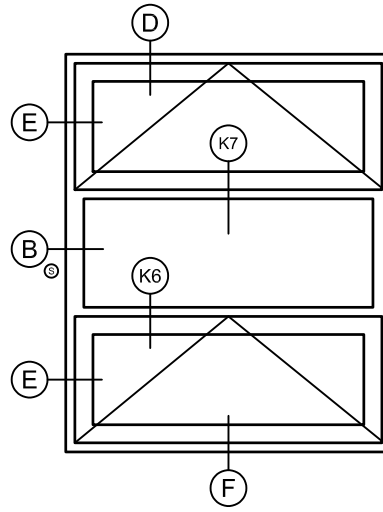
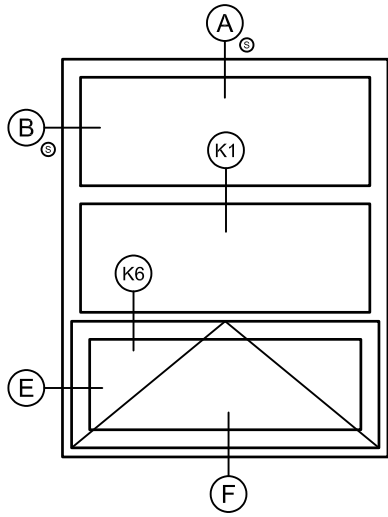


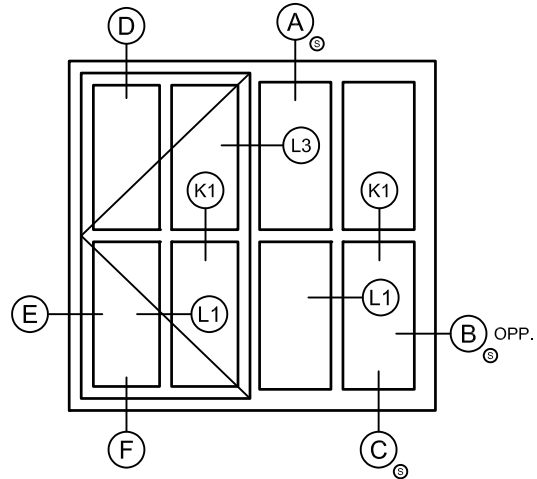
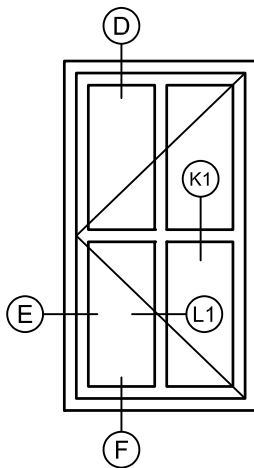
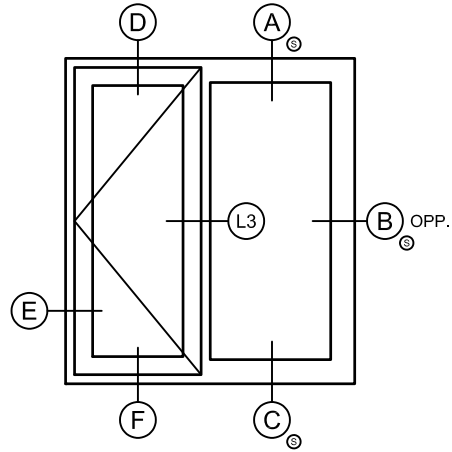
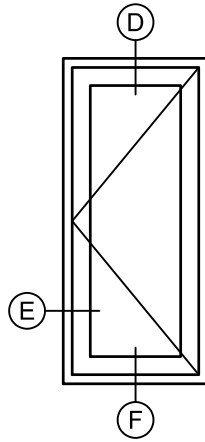
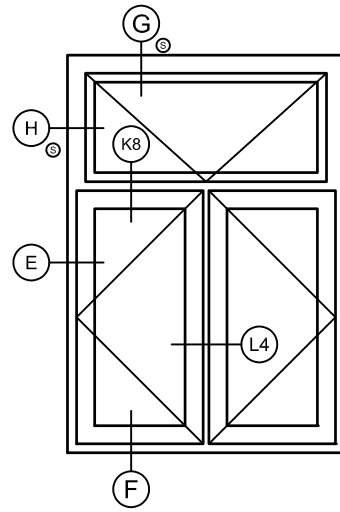
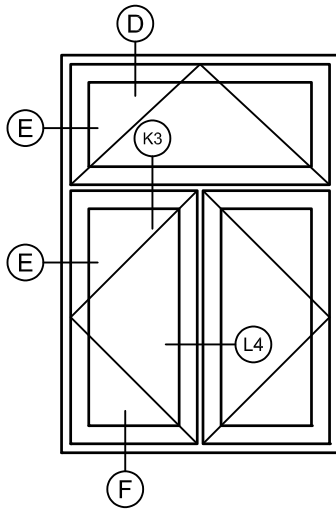
⊙ = SCAB BARS



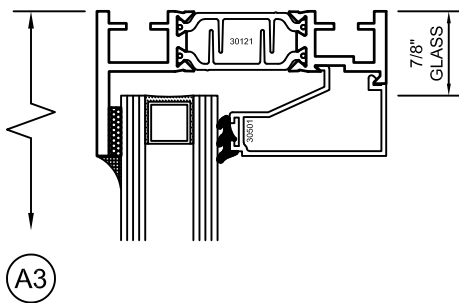
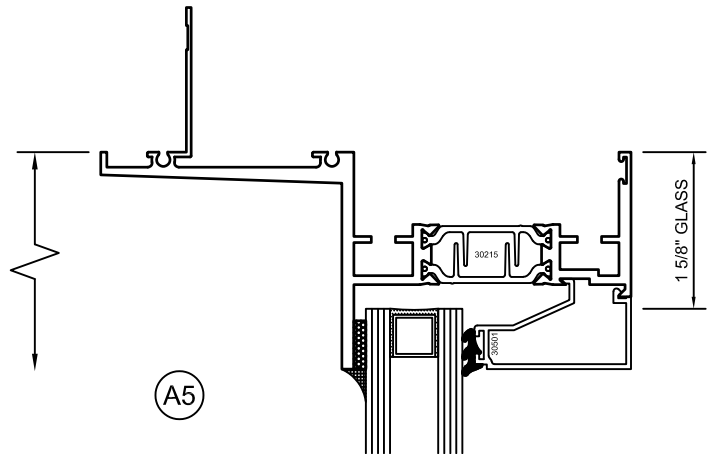
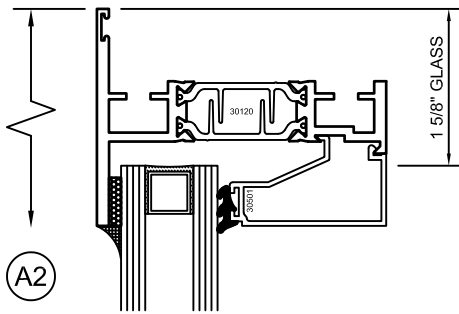
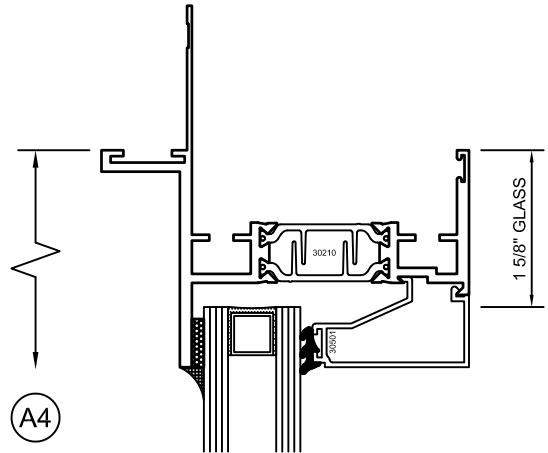
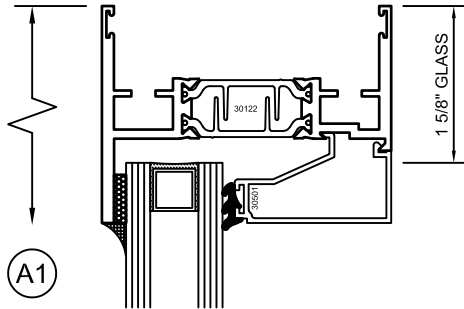
⊙ = SCAB BARS



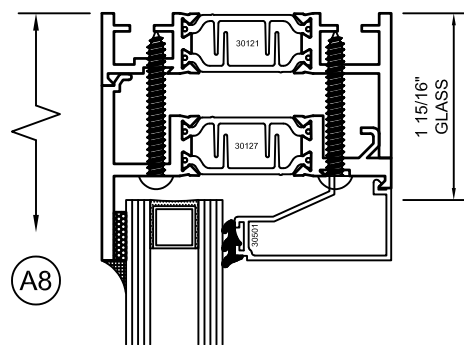
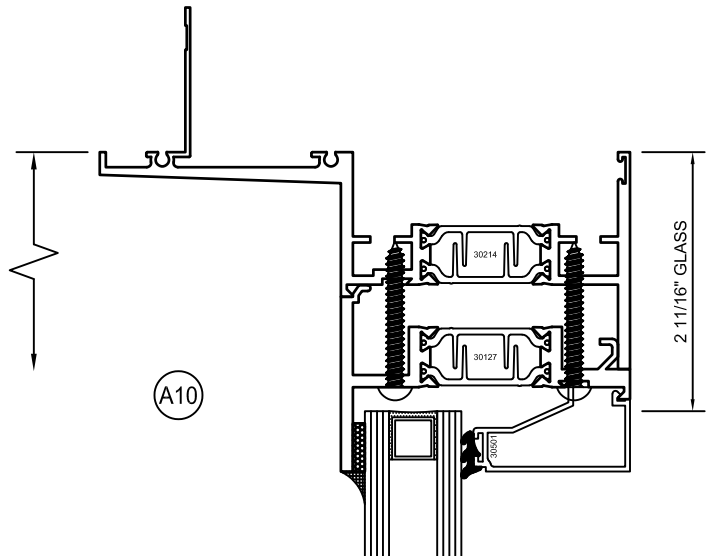
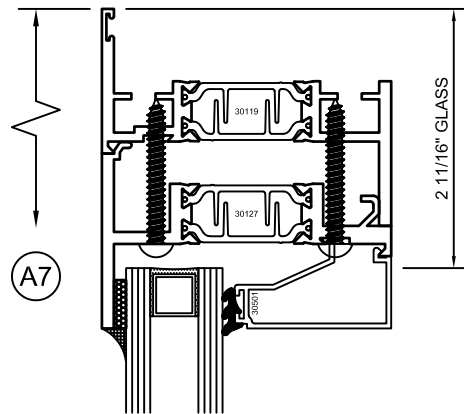
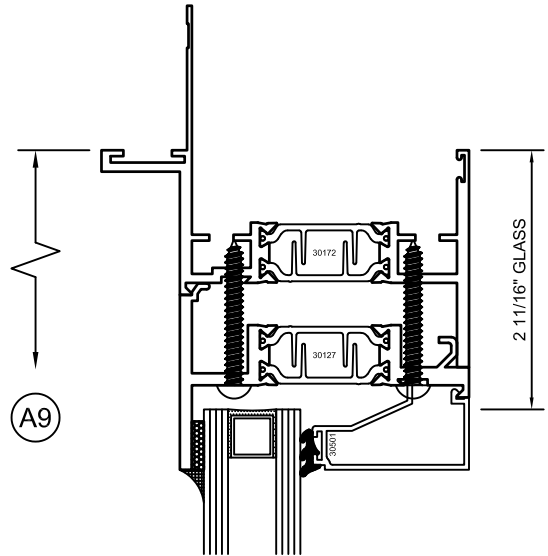
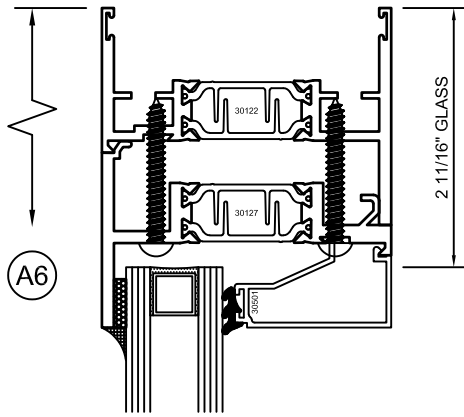
© = SCAB BARS



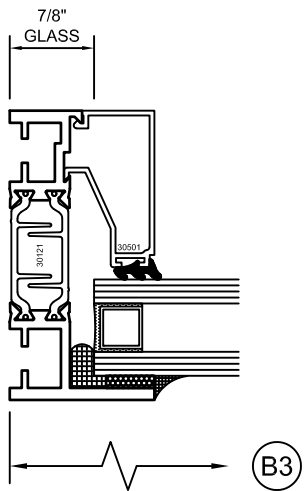
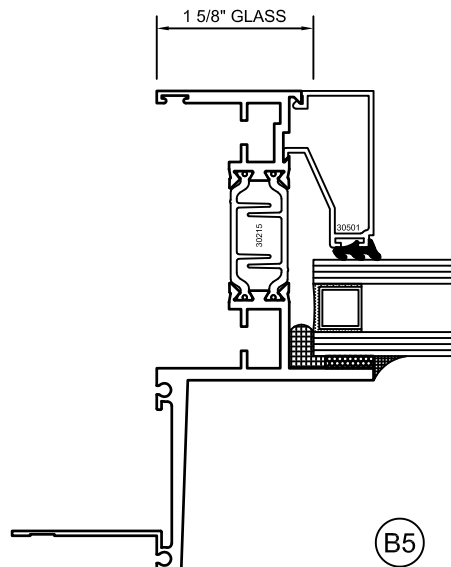
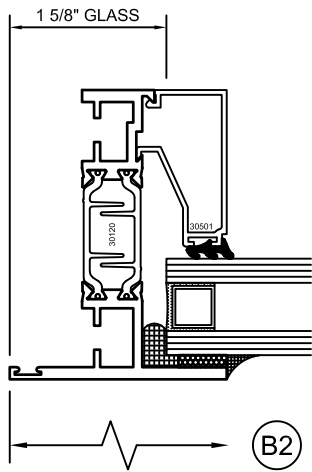
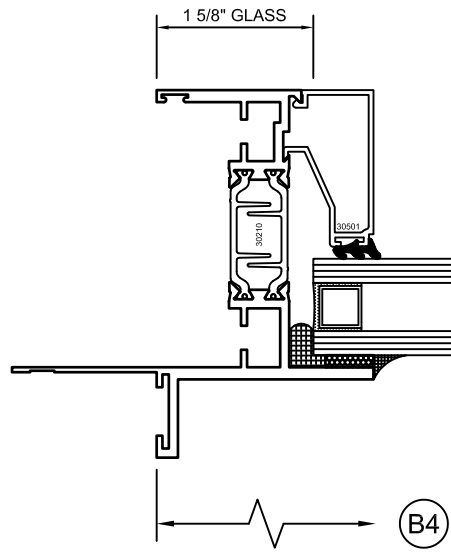
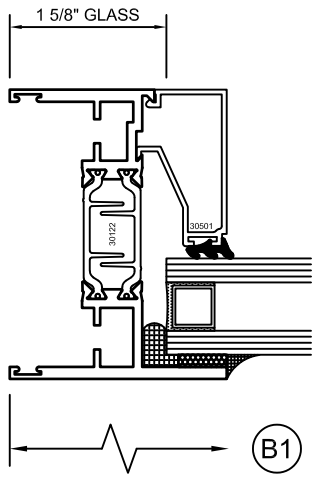
⊙ = SCAB BARS



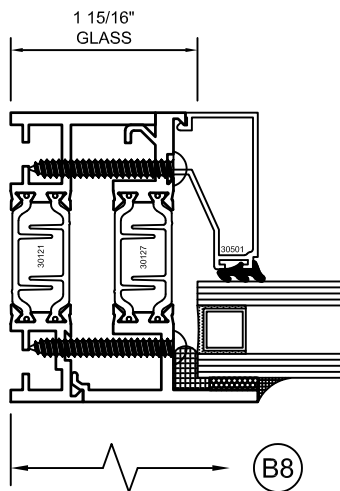
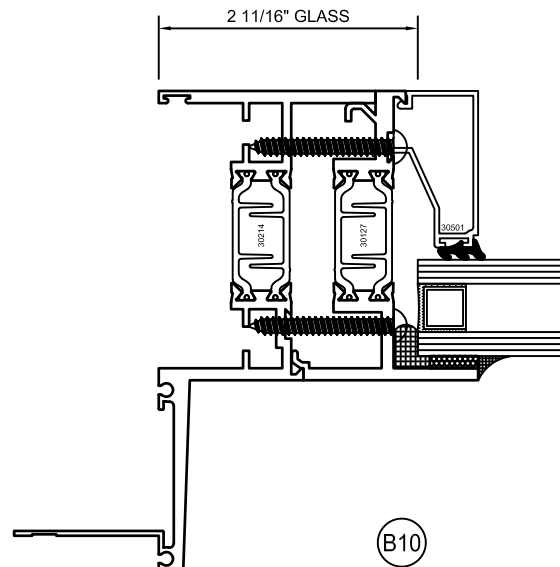
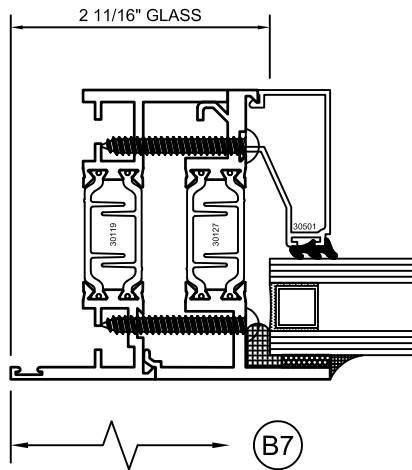
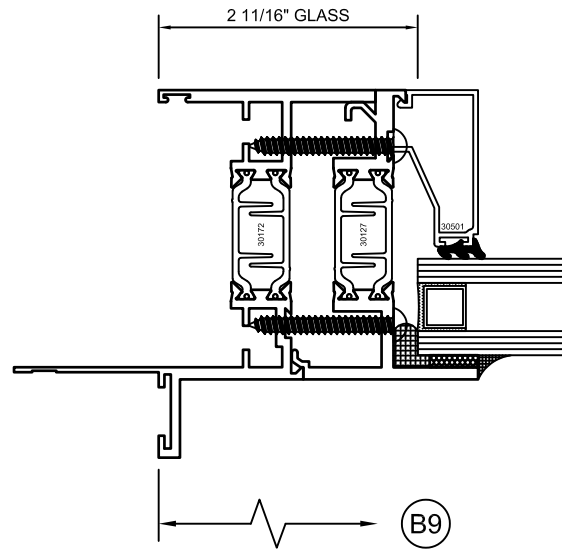
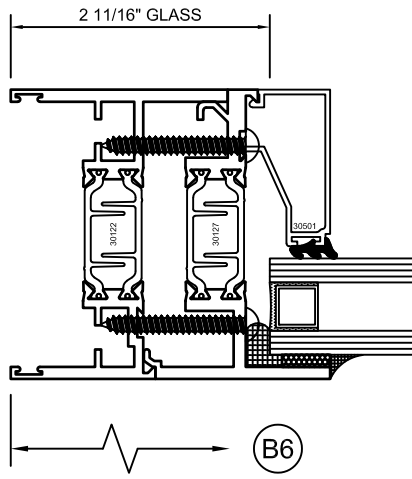
### DETAILS WITH SCAB BARS

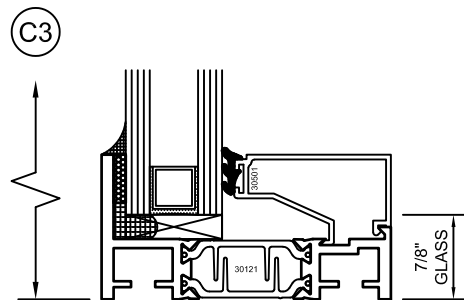
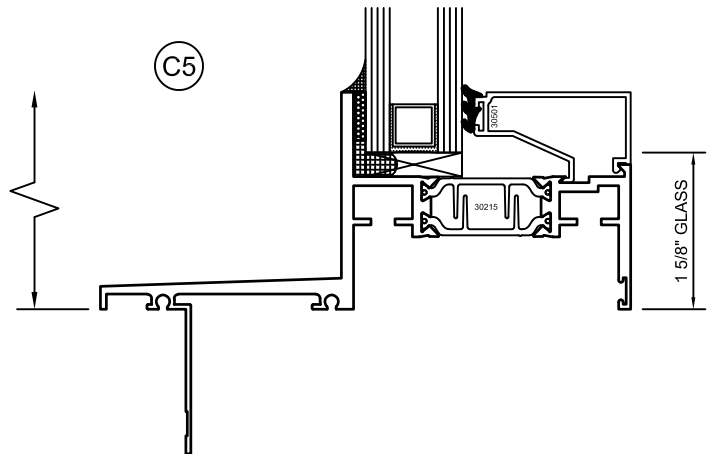
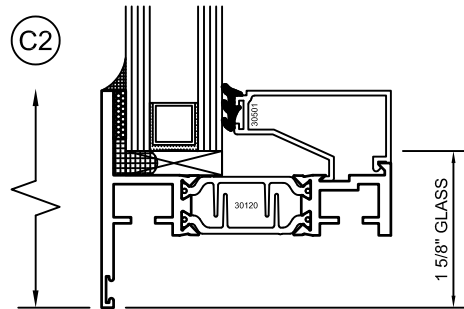
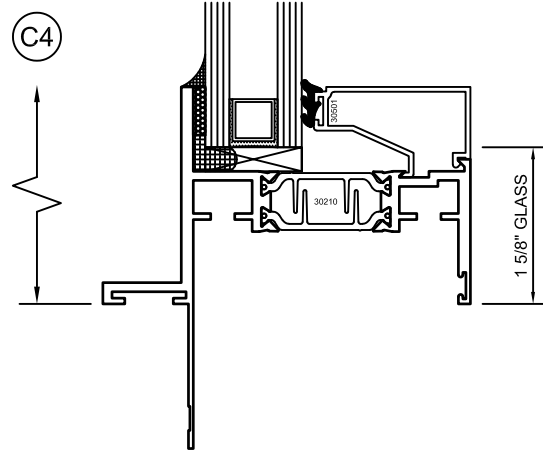
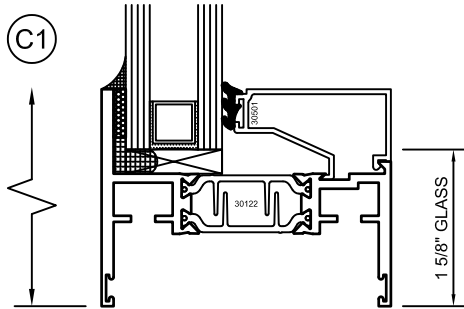




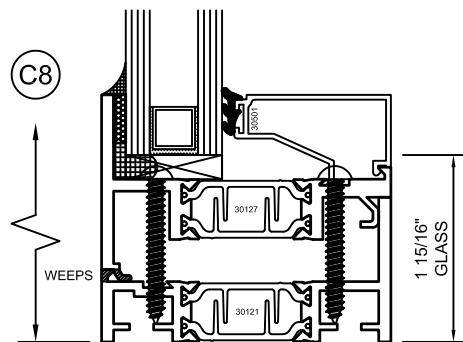
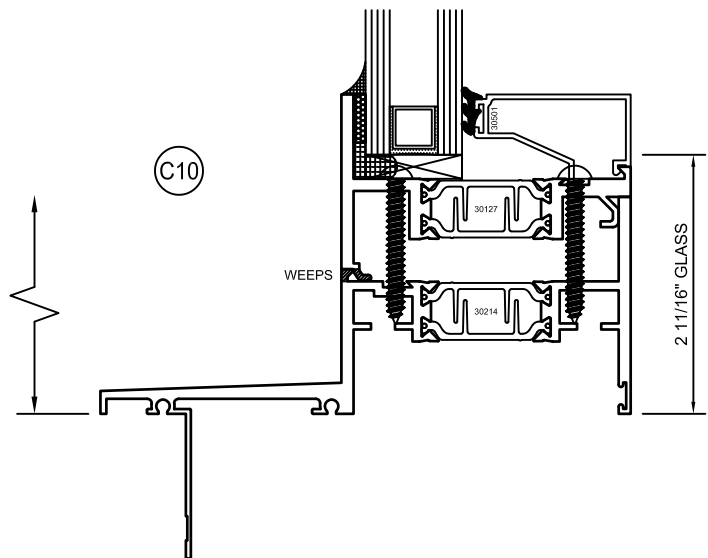
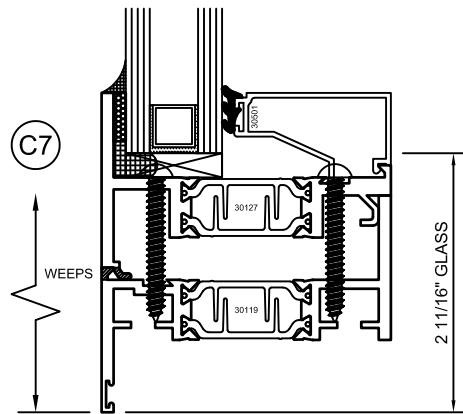
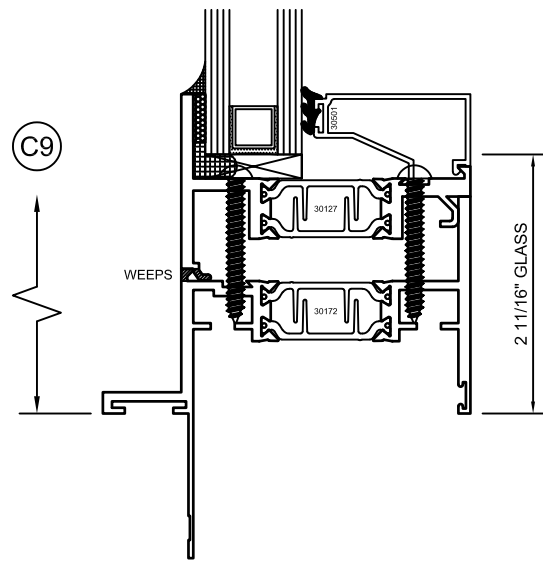
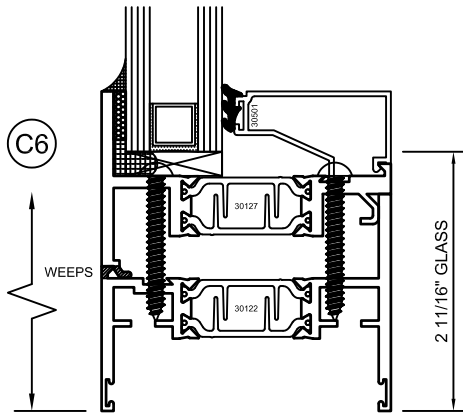


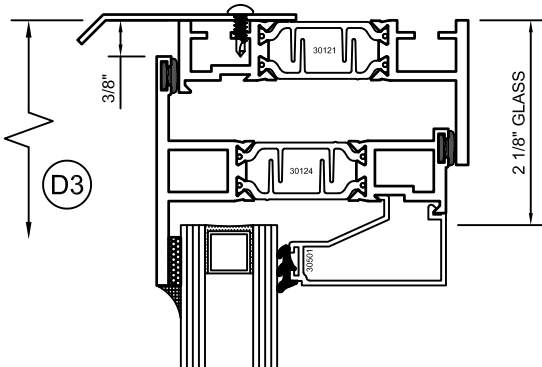
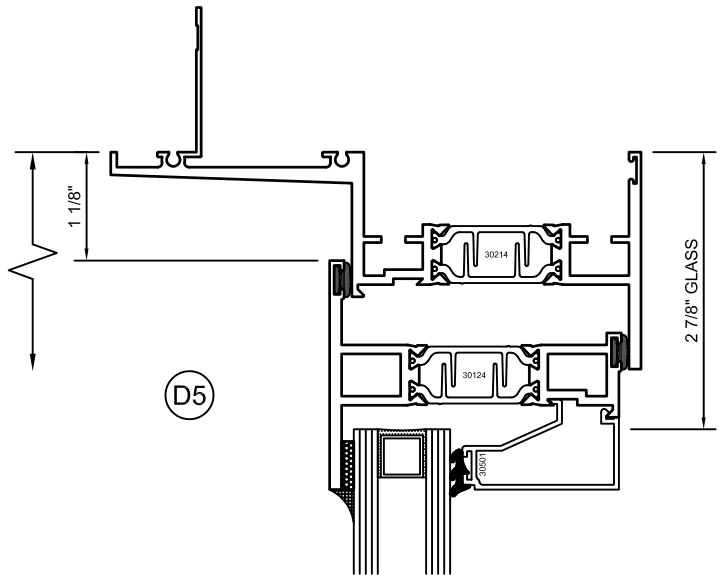
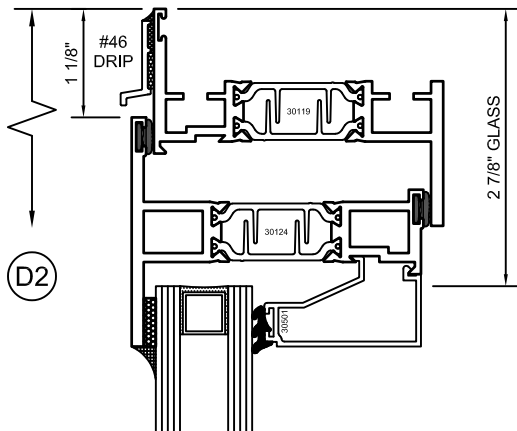
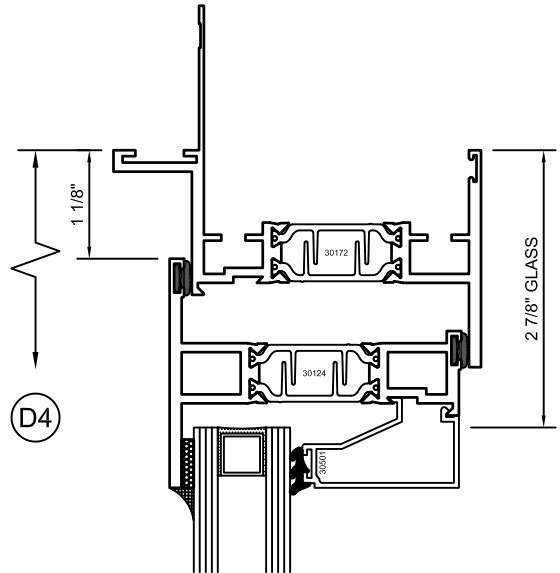
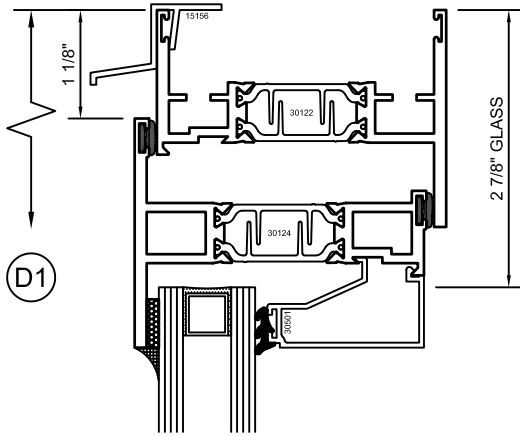
## DETAILS WITH SCAB BARS



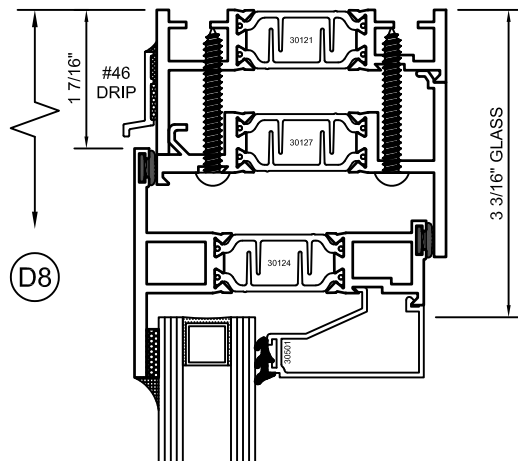
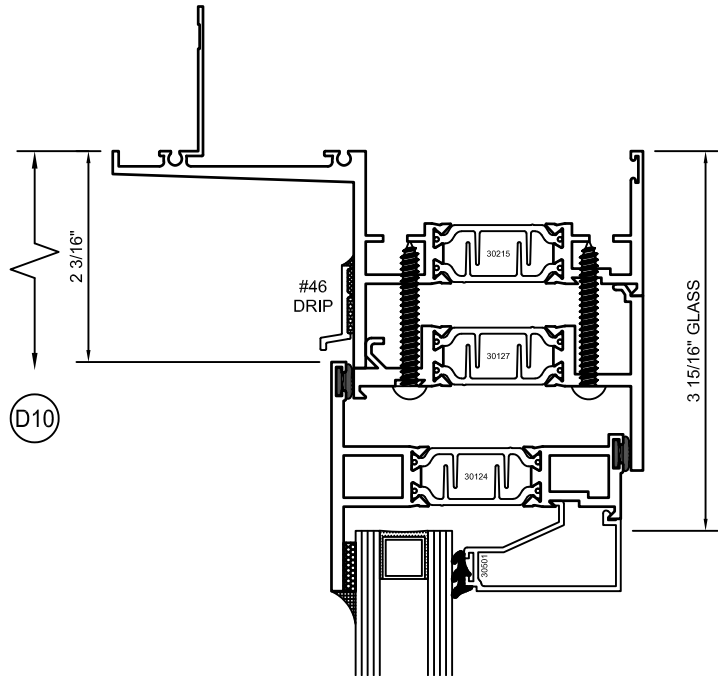
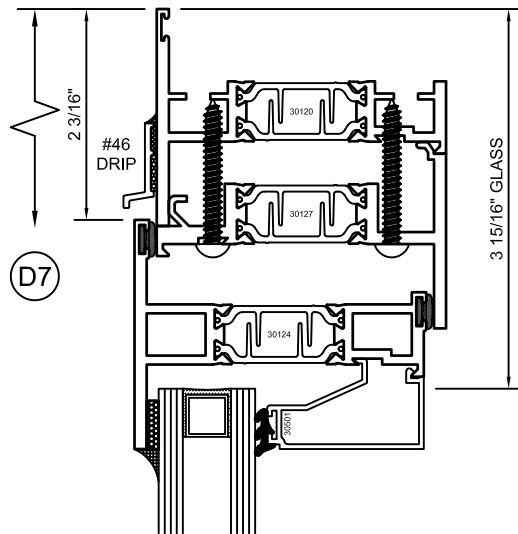
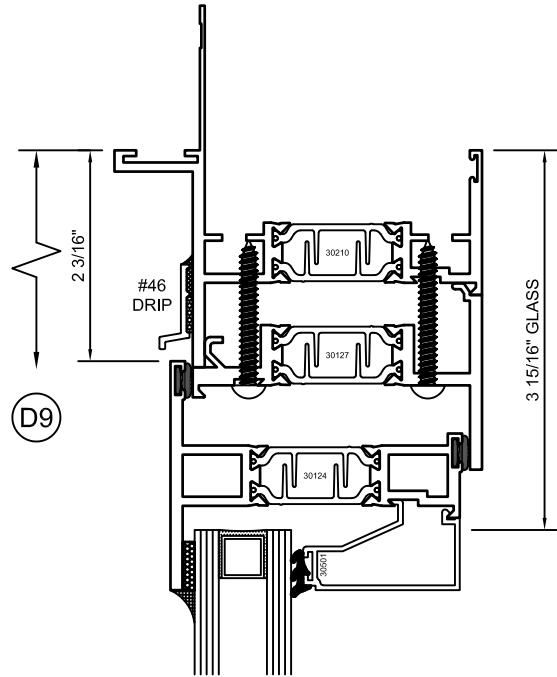
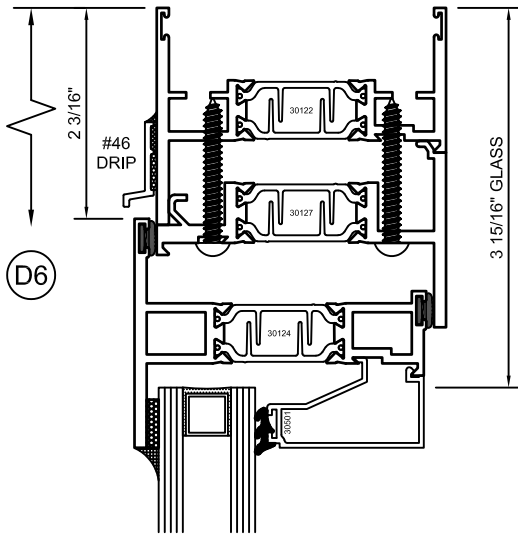


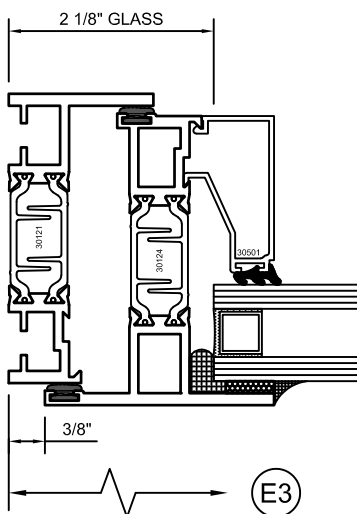
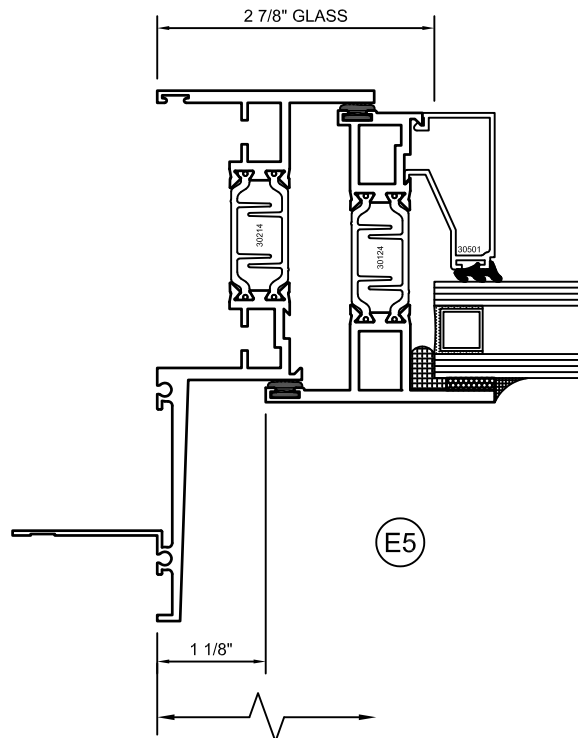
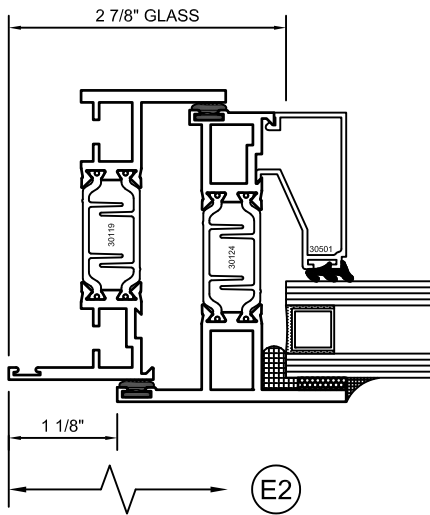
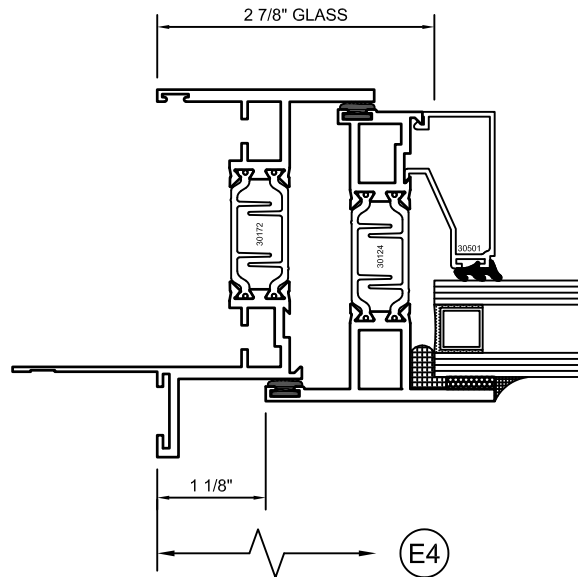
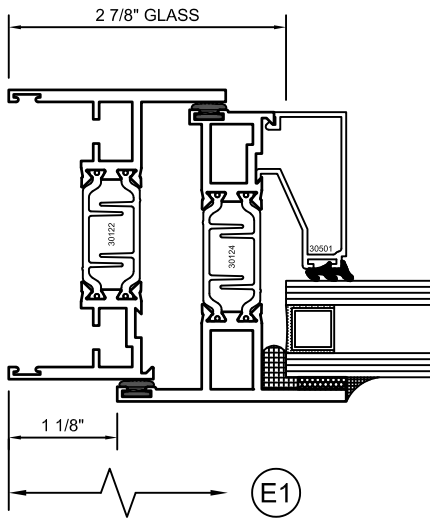
## DETAILS WITH SCAB BARS



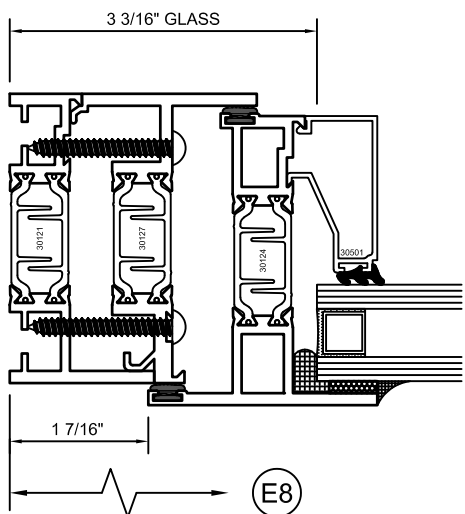
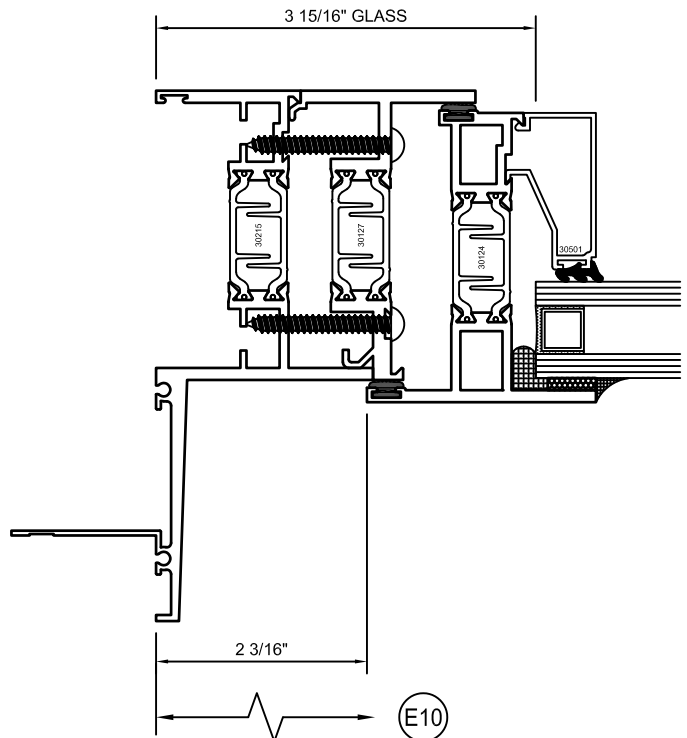
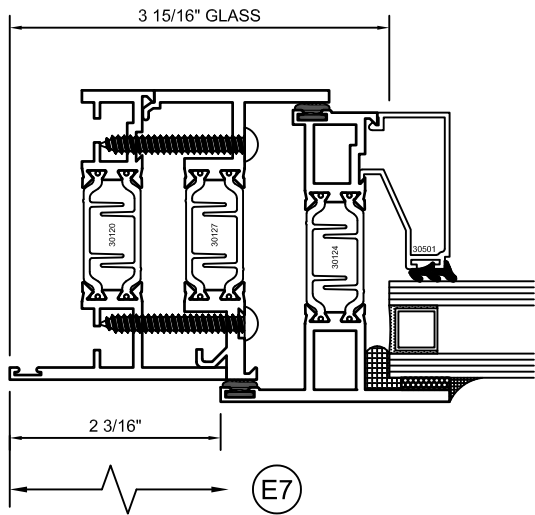
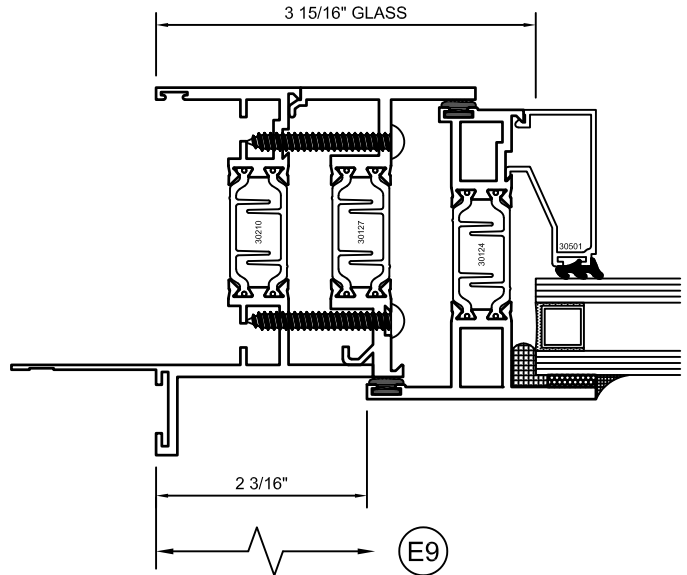
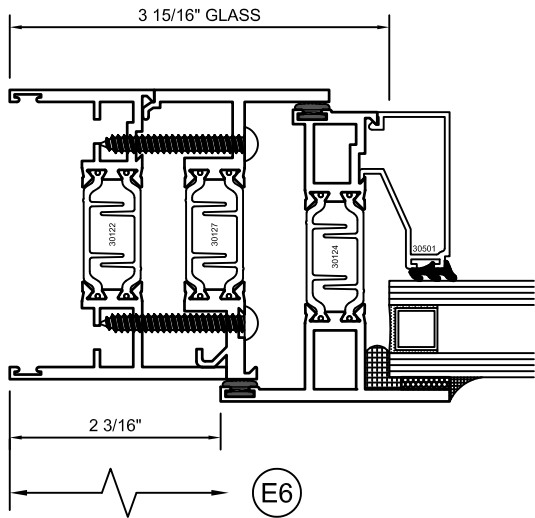


## DETAILS WITH SCAB BARS

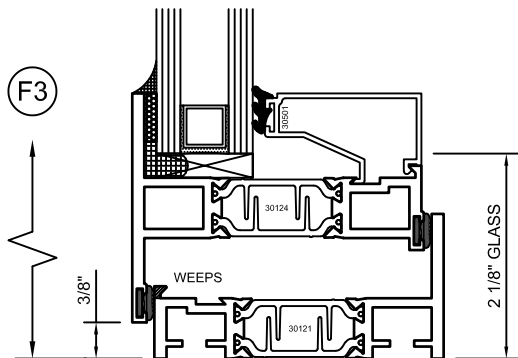
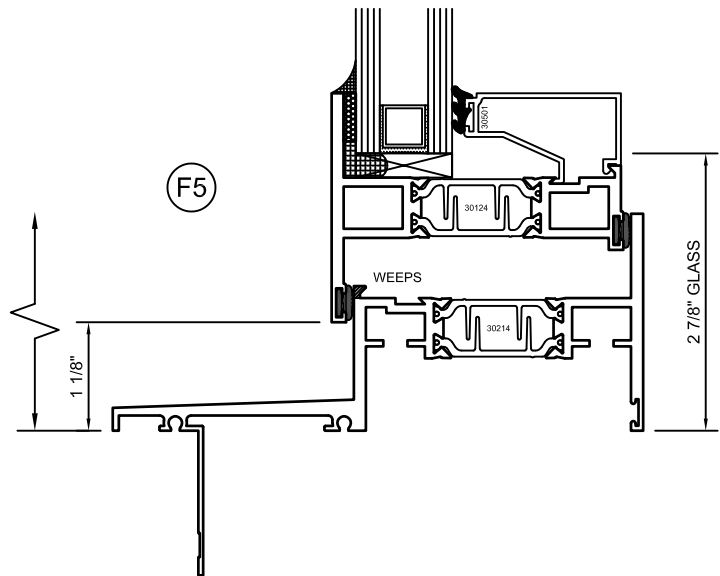
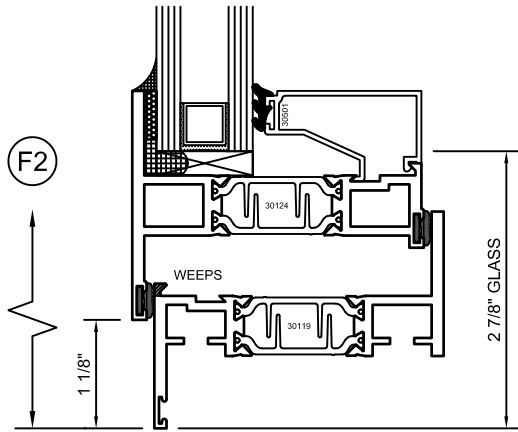
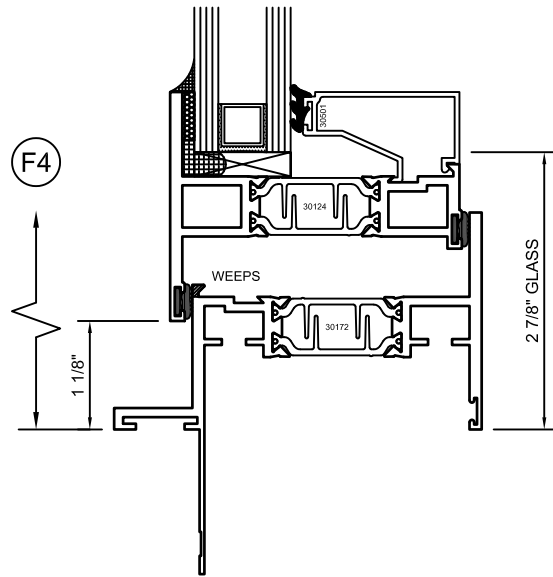
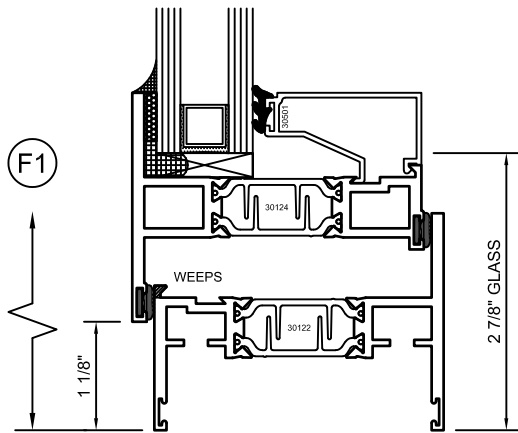




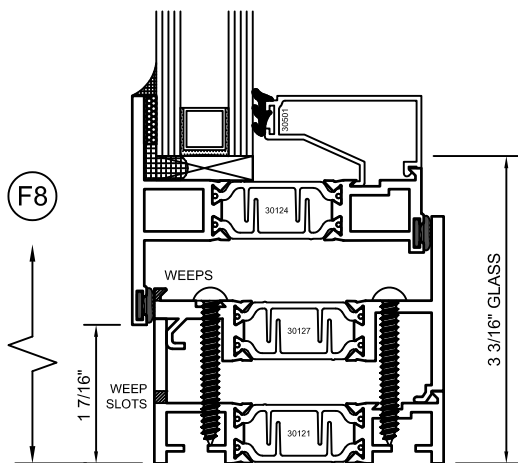
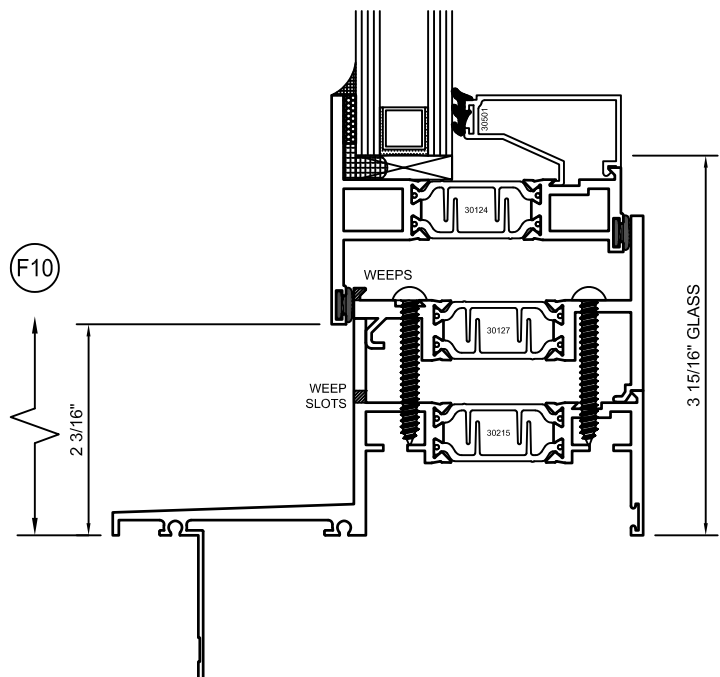
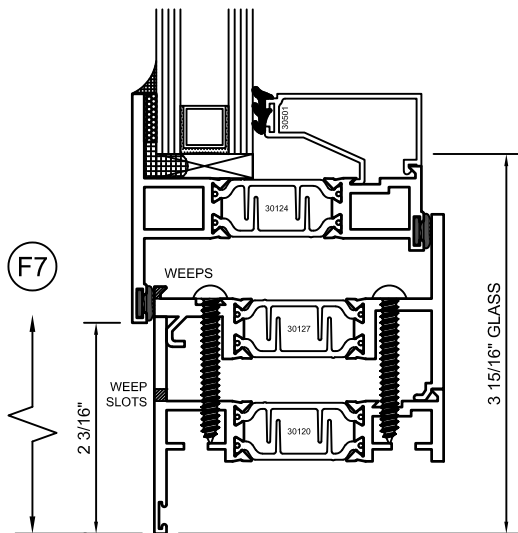
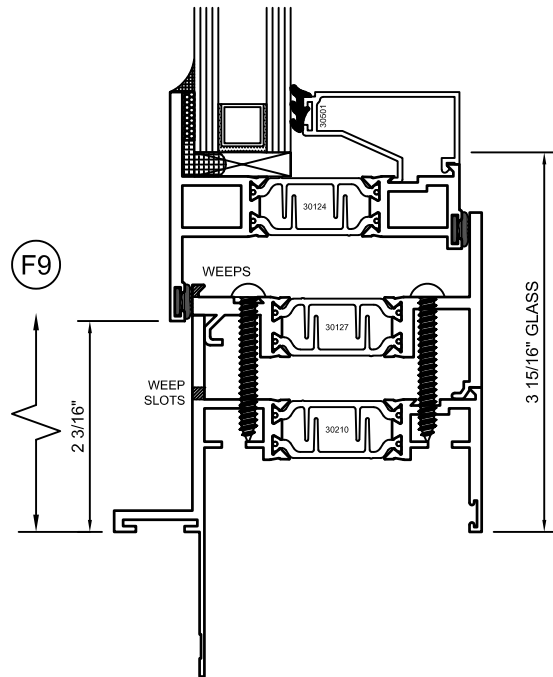
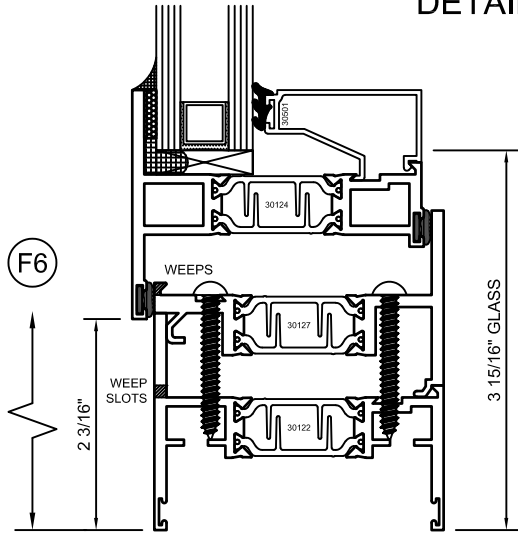
### DETAILS WITH SCAB BARS

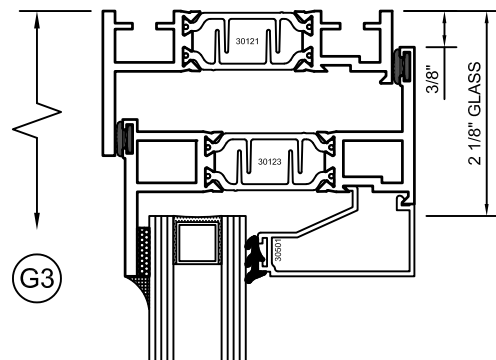
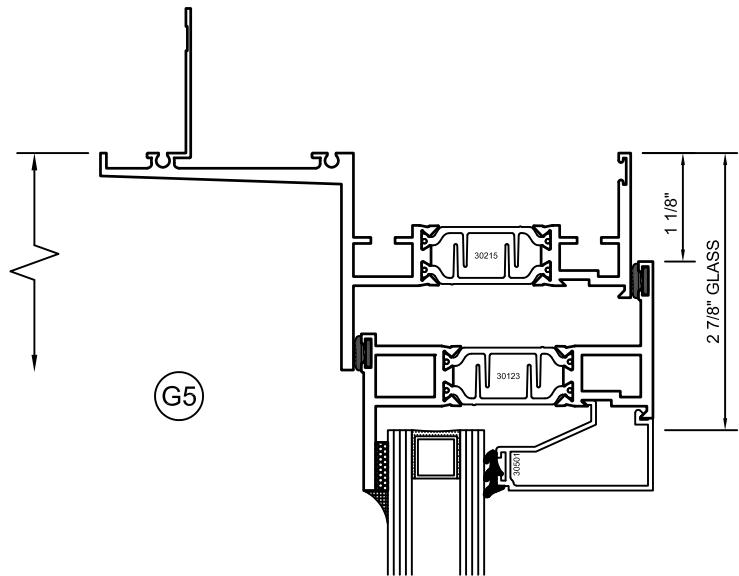
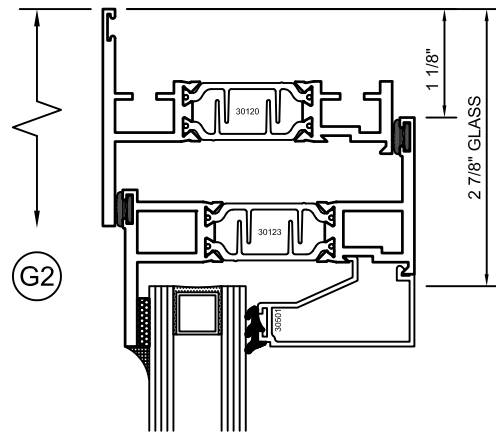
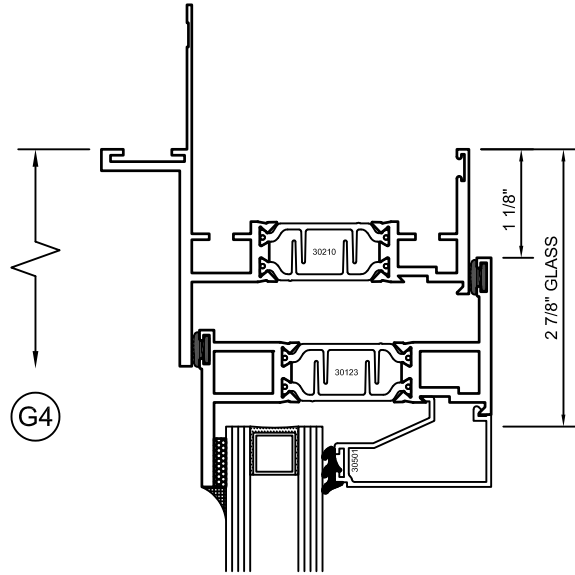
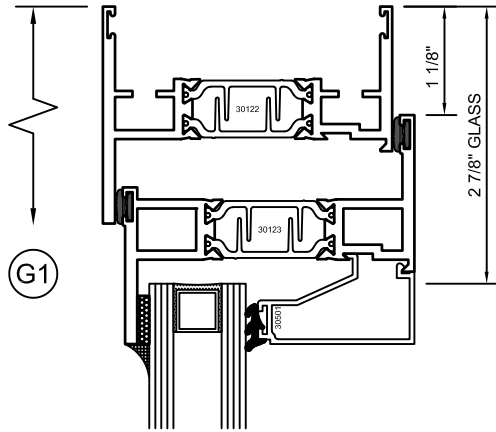




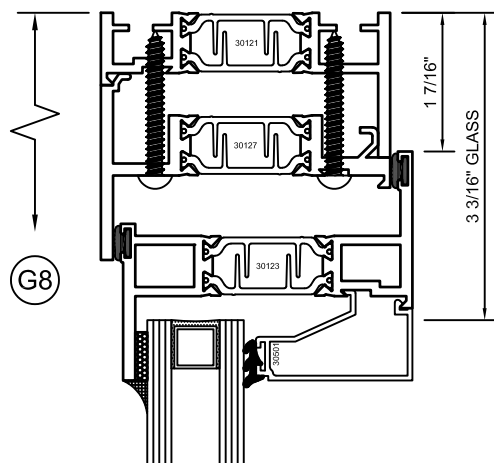
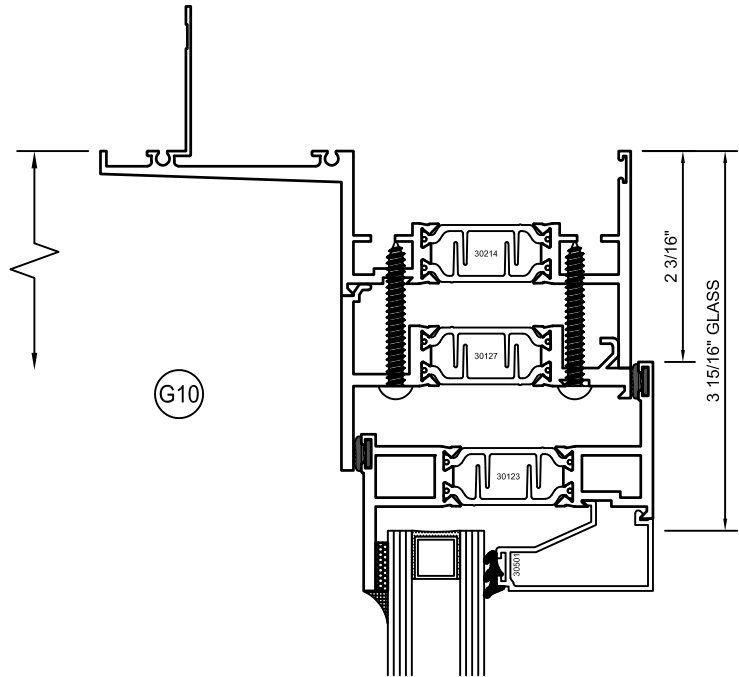
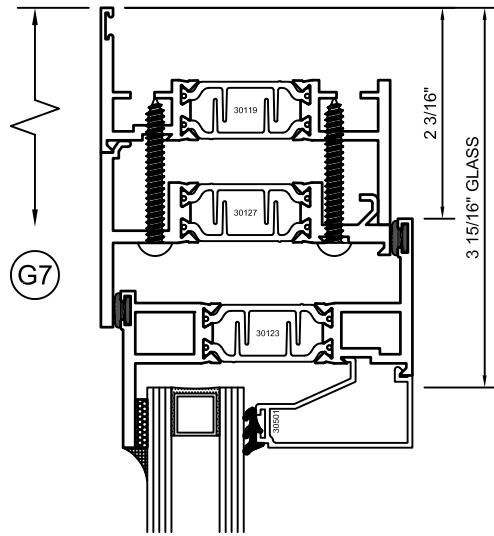
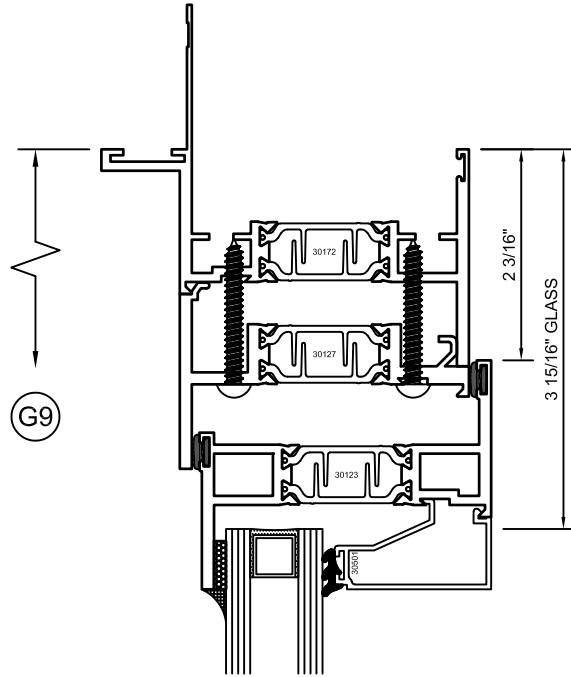
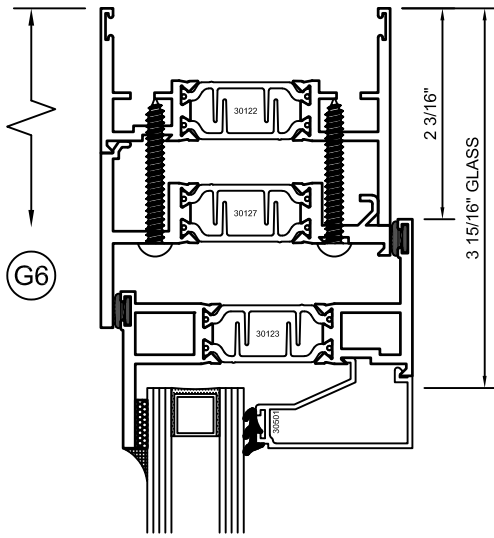


## DETAILS WITH SCAB BARS



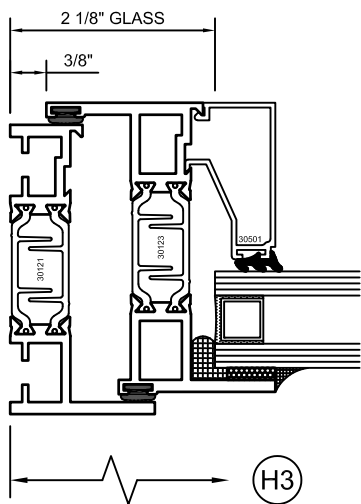
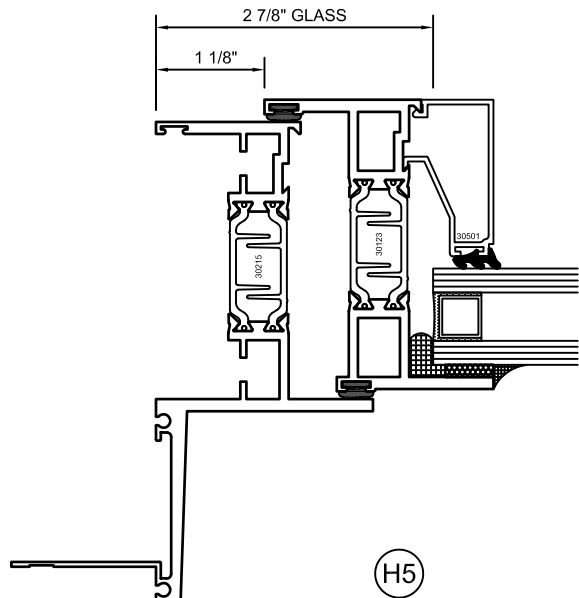
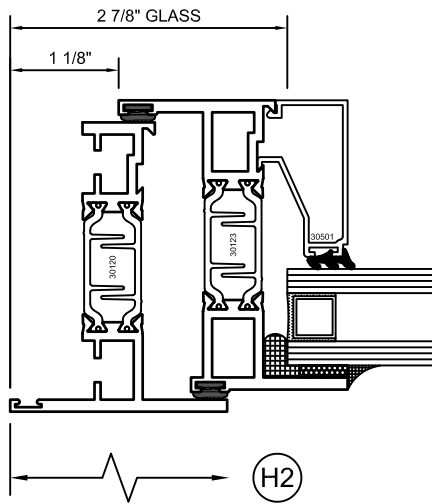
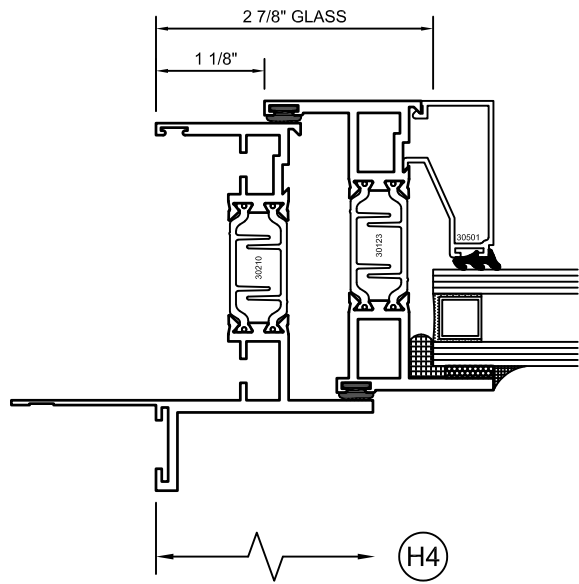
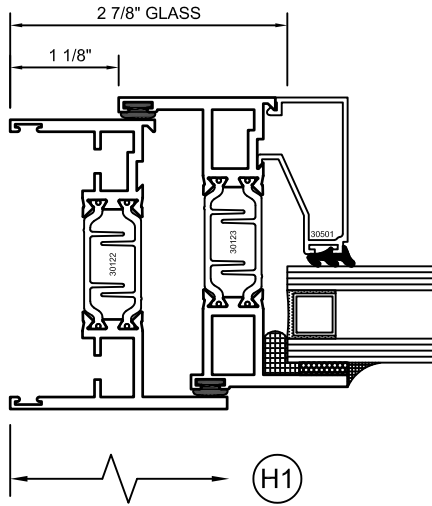


## DETAILS WITH SCAB BARS



# TORRANCE ALUMINUM

## SERIES 3000 (AW) INSIDE GLAZED DETAILS



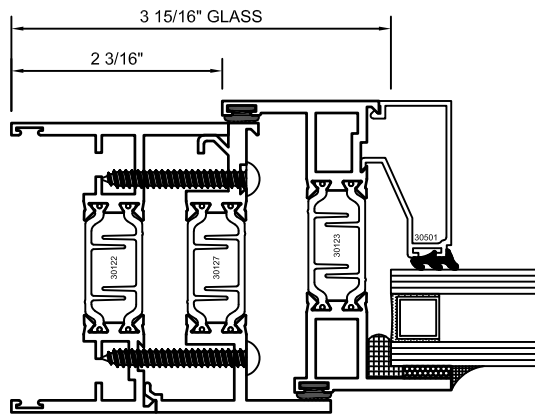
PROJECT-IN JAMB DETAILS  
SHEET D15 (H)

August 12, 2020

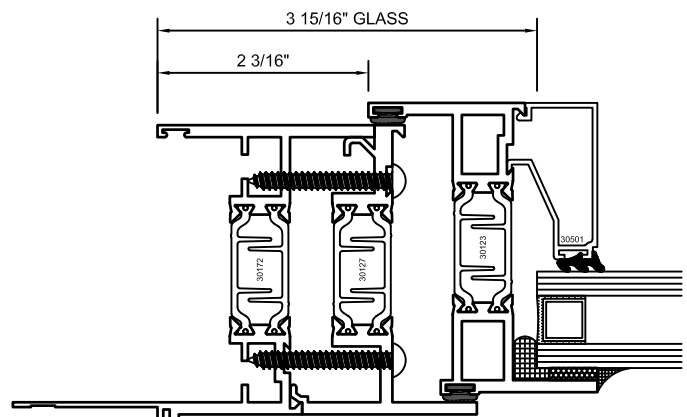
# TORRANCE ALUMINUM

## SERIES 3000 (AW) INSIDE GLAZED DETAILS

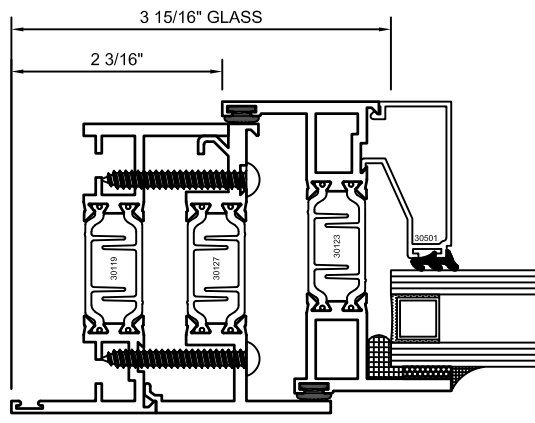
### DETAILS WITH SCAB BARS



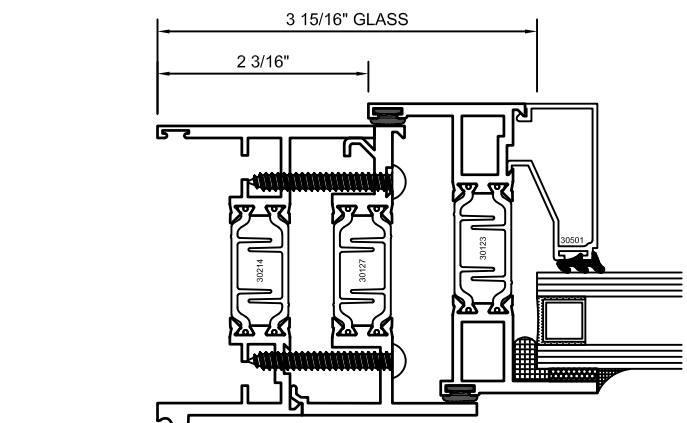
H6



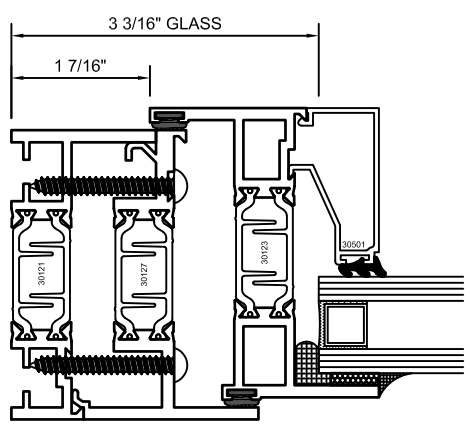
H9



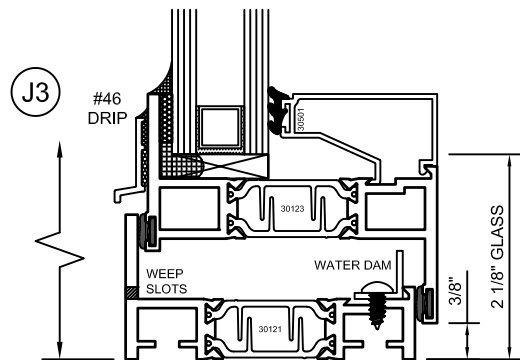
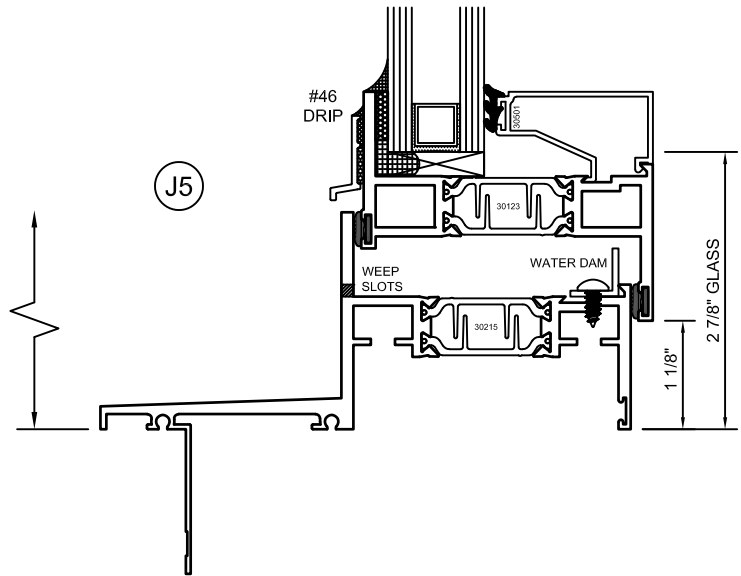
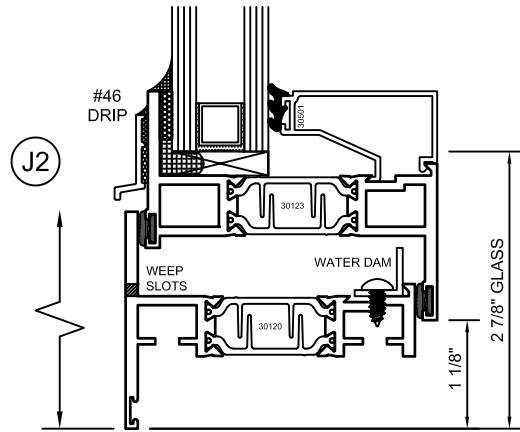
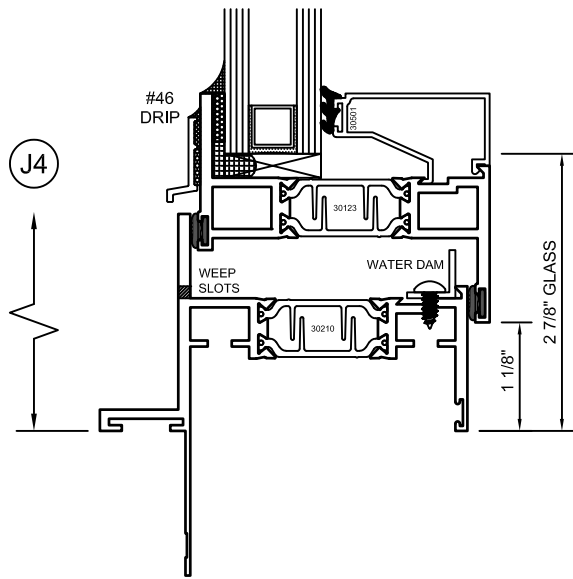
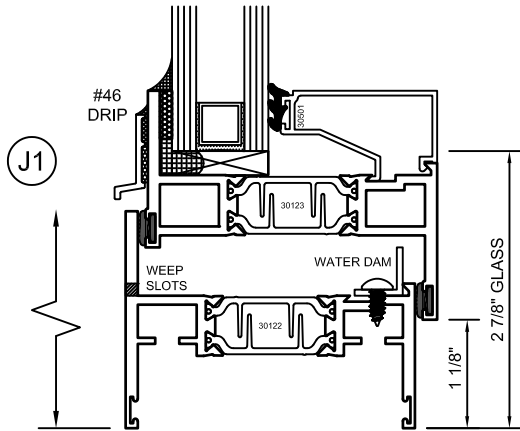
H7



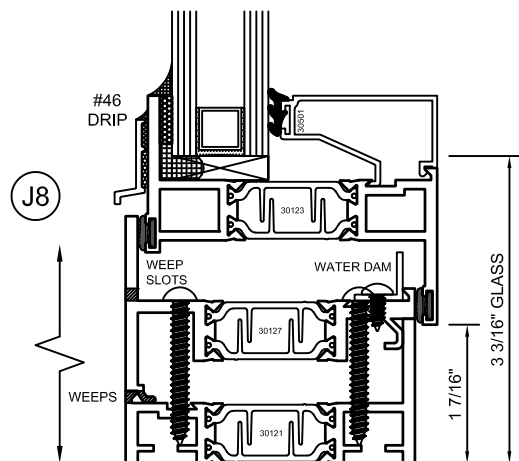
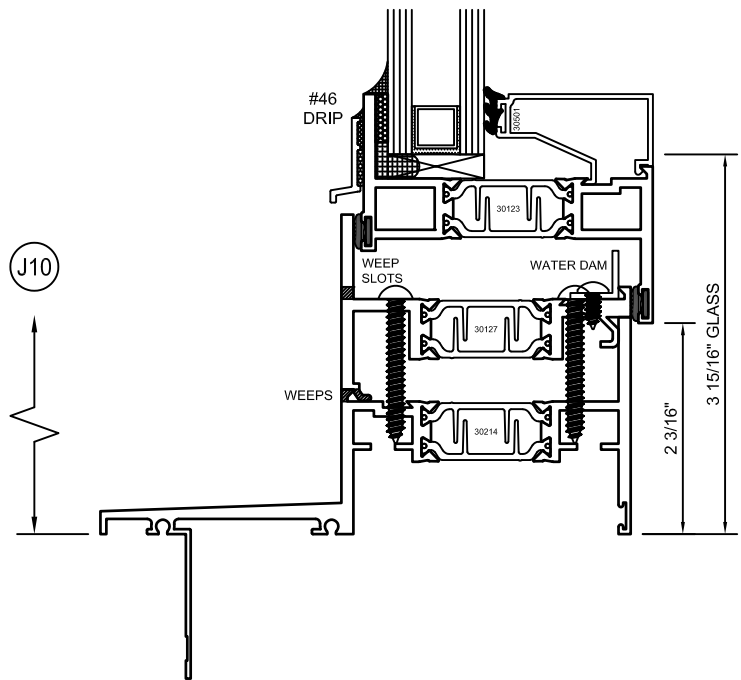
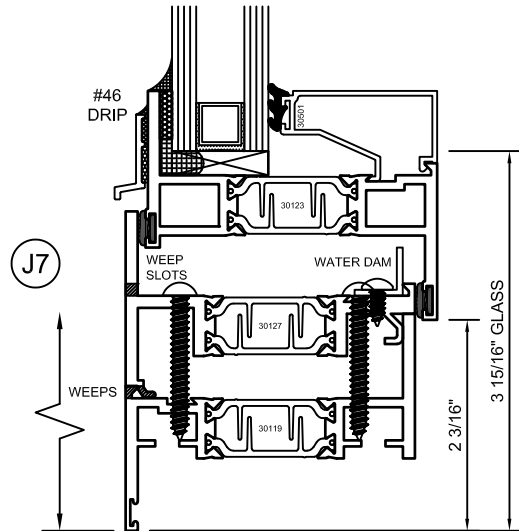
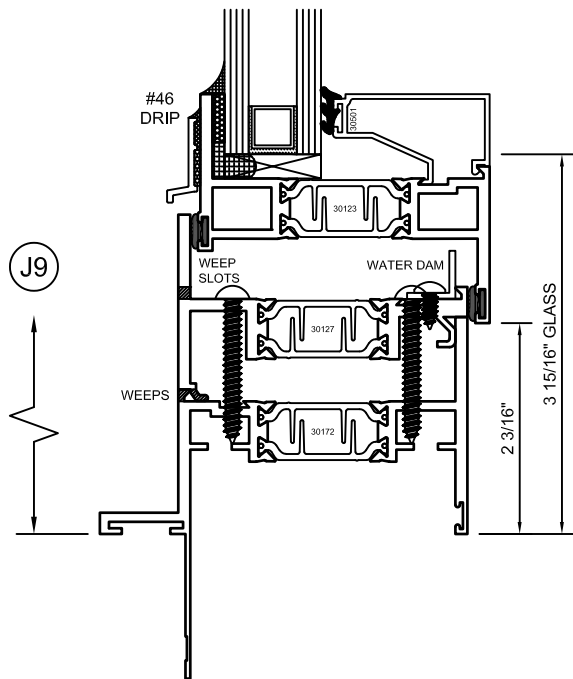
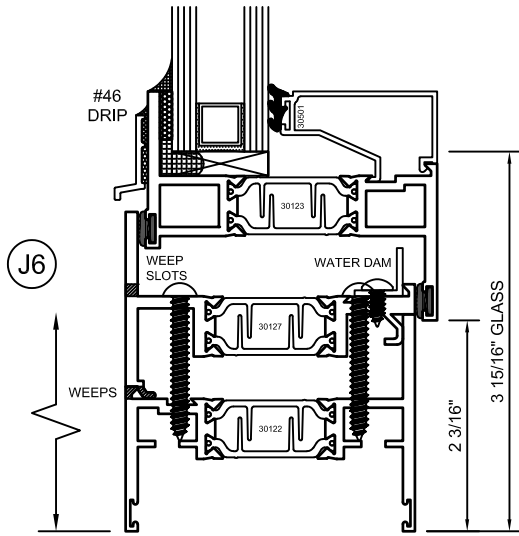
H10



H8



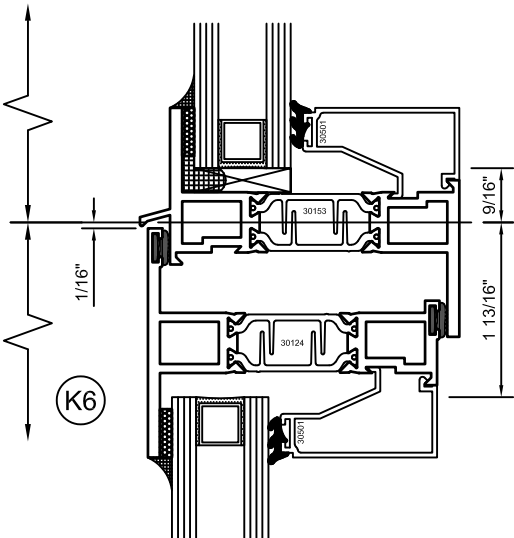
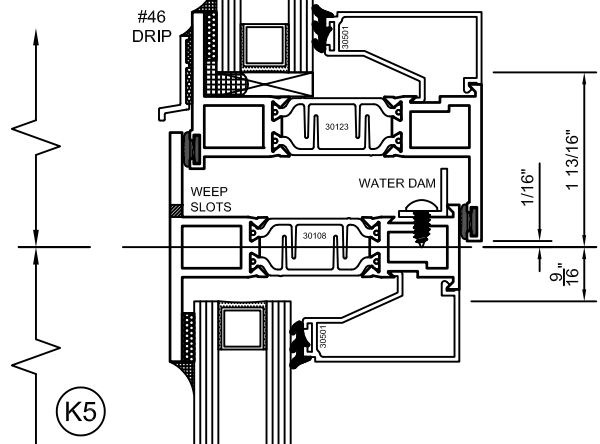
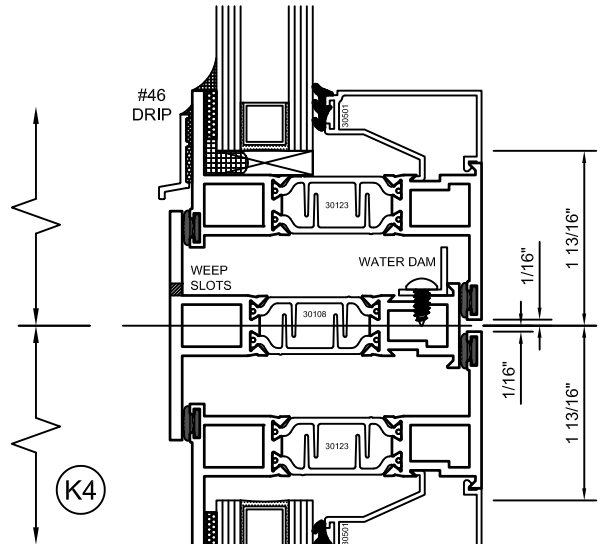
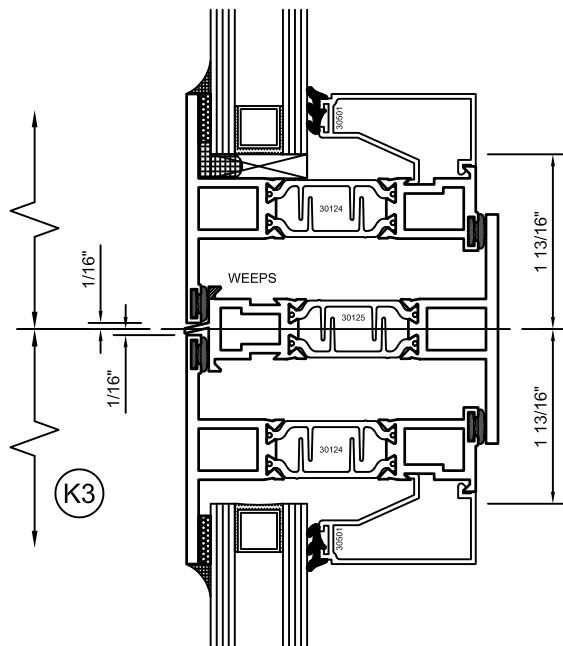
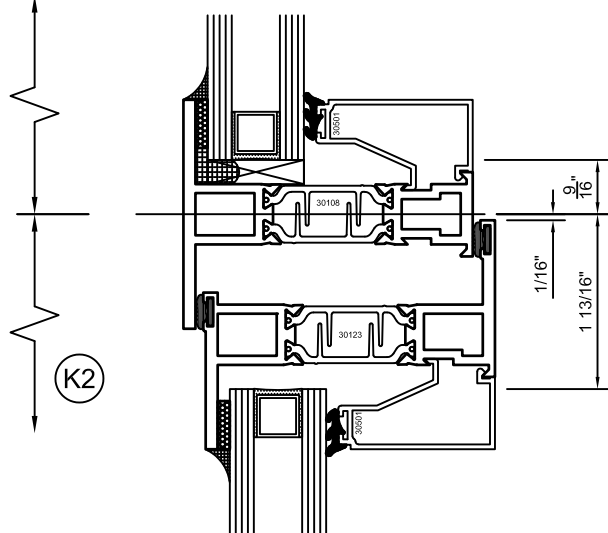
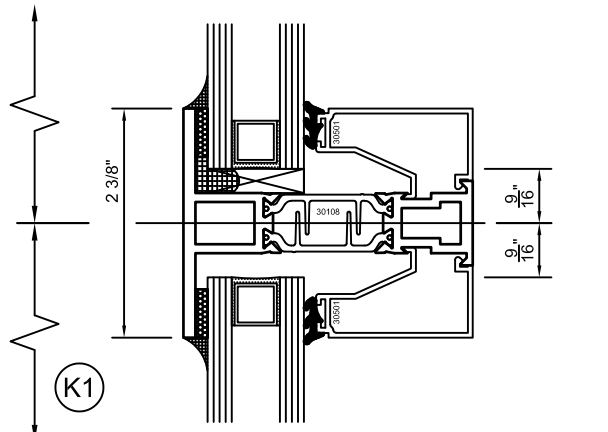
## DETAILS WITH SCAB BARS





# TORRANCE ALUMINUM

# SERIES 3000 (AW) INSIDE GLAZED DETAILS



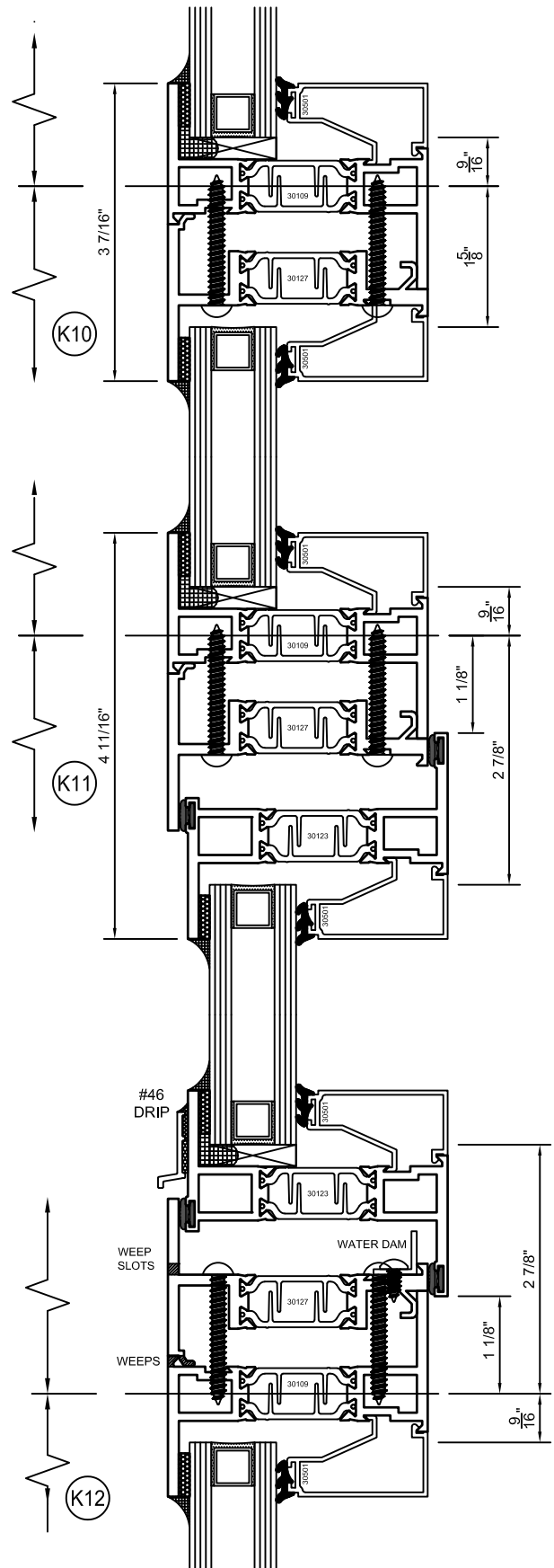
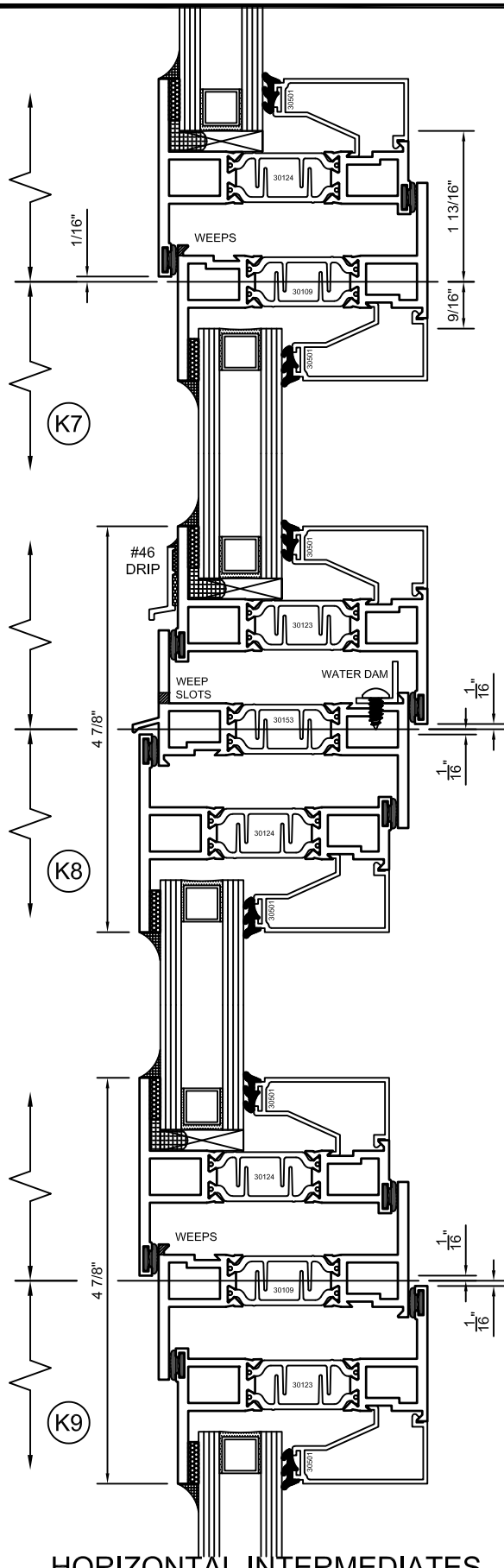
HORIZONTAL INTERMEDIATES

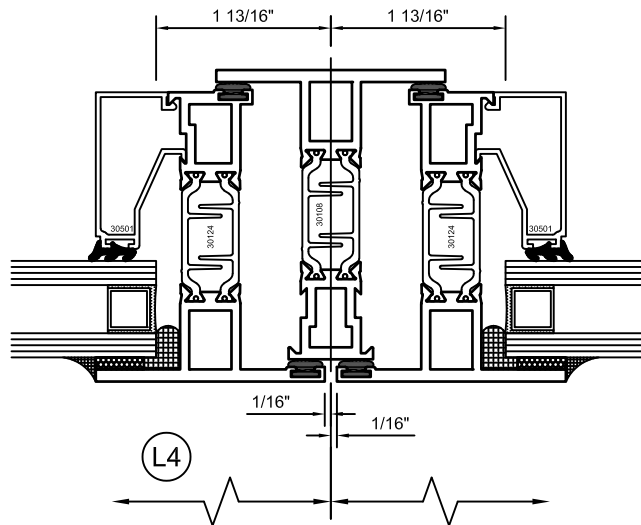
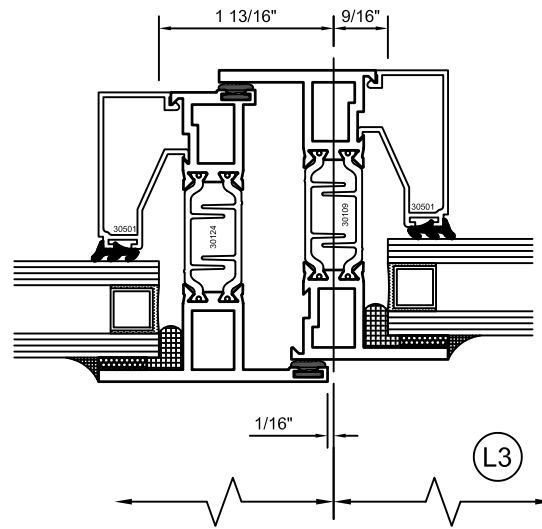
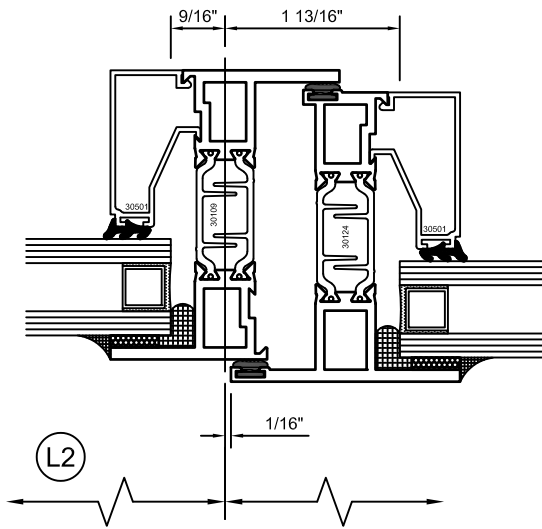
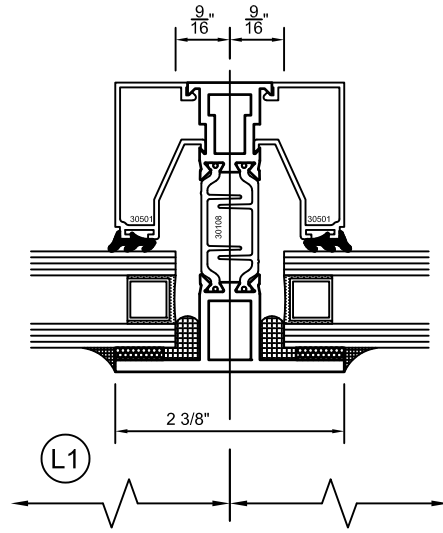
SHEET D19 (K)

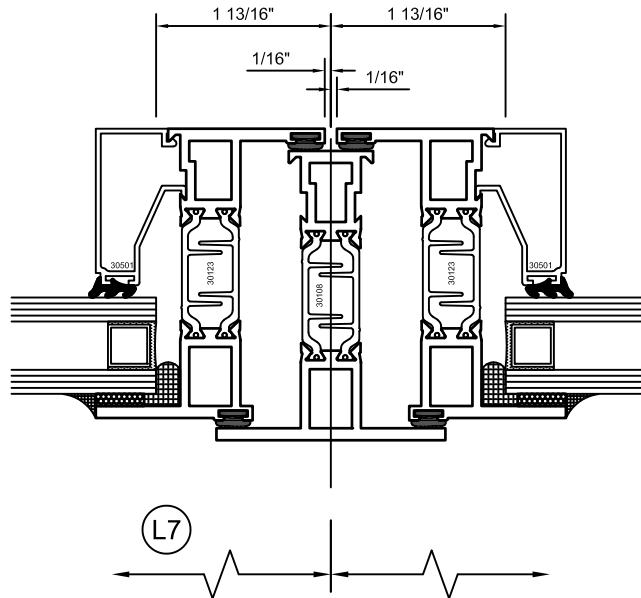
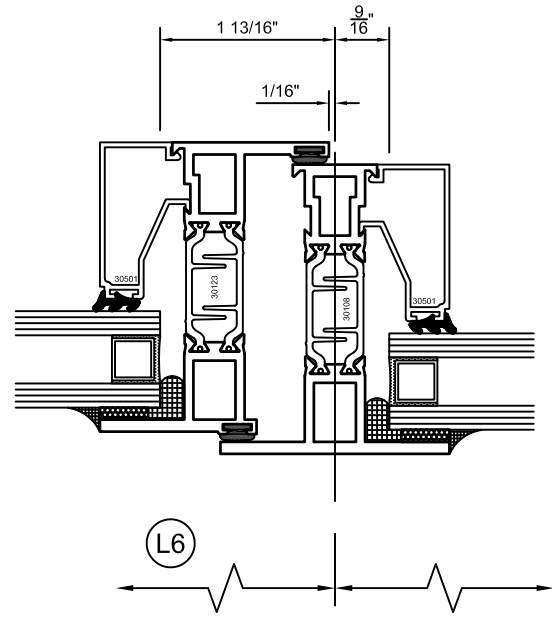
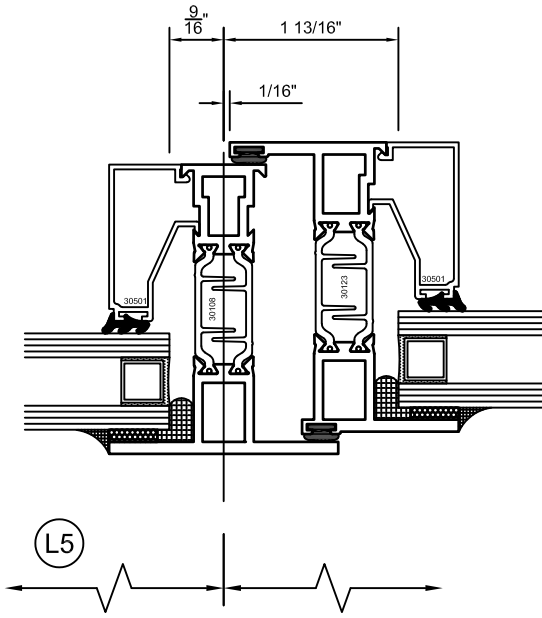
# TORRANCE ALUMINUM

## SERIES 3000 (AW) INSIDE GLAZED DETAILS

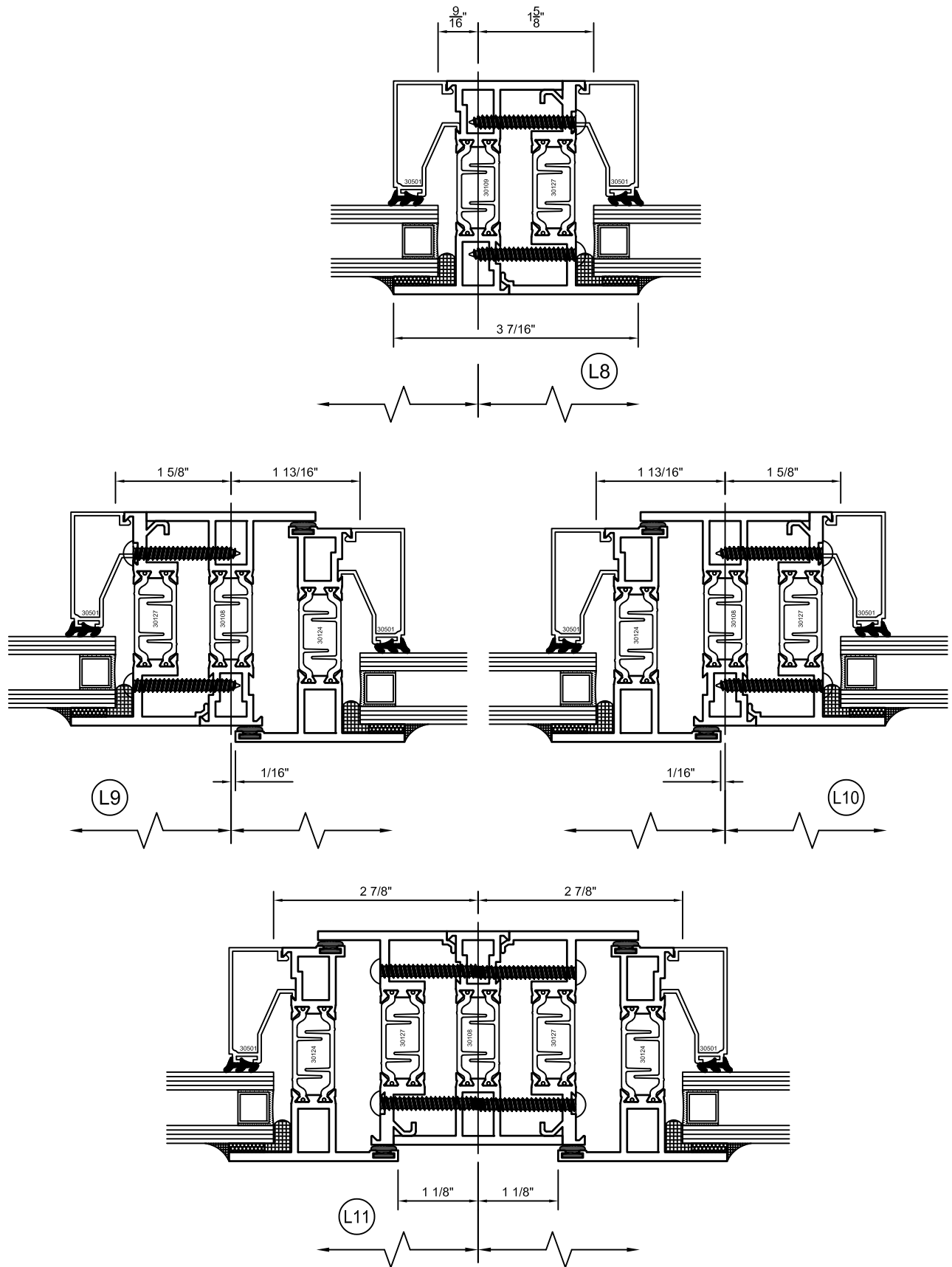
THESE DETAILS WITH SCAB BARS





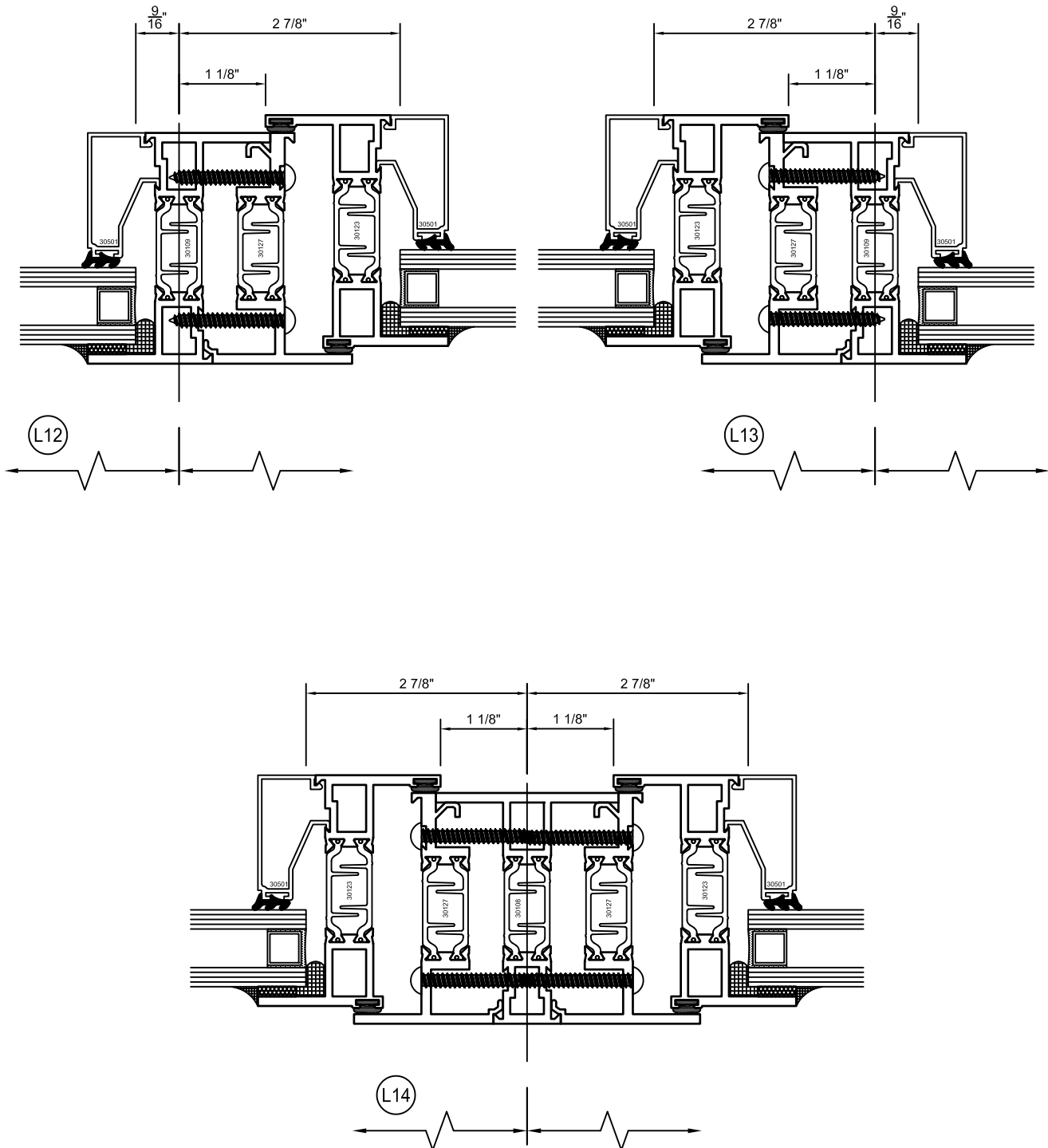


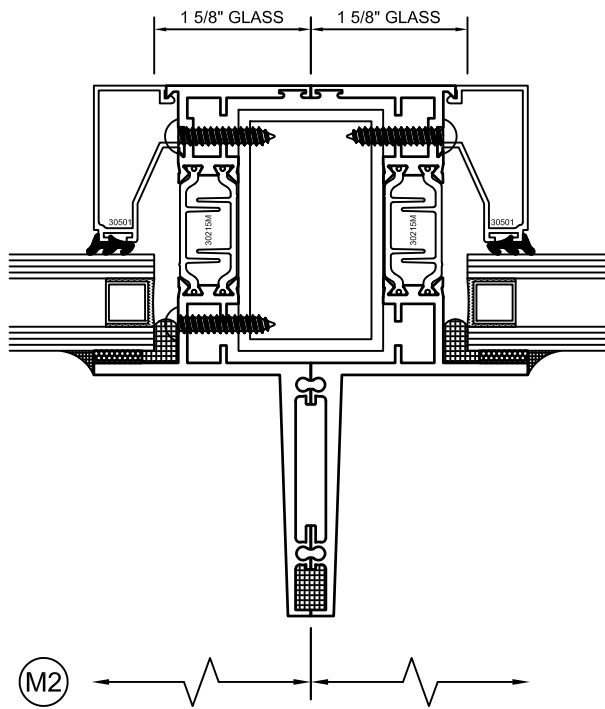
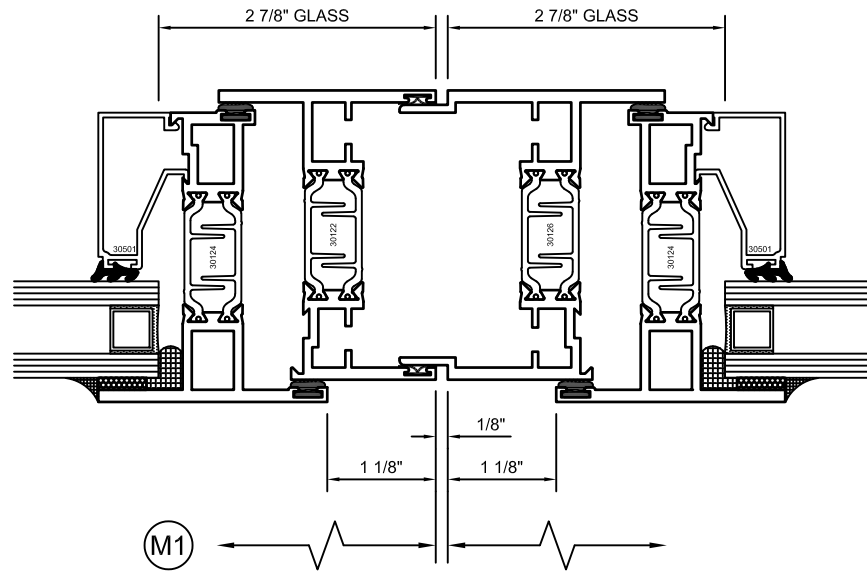
DETAILS WITH SCAB BARS

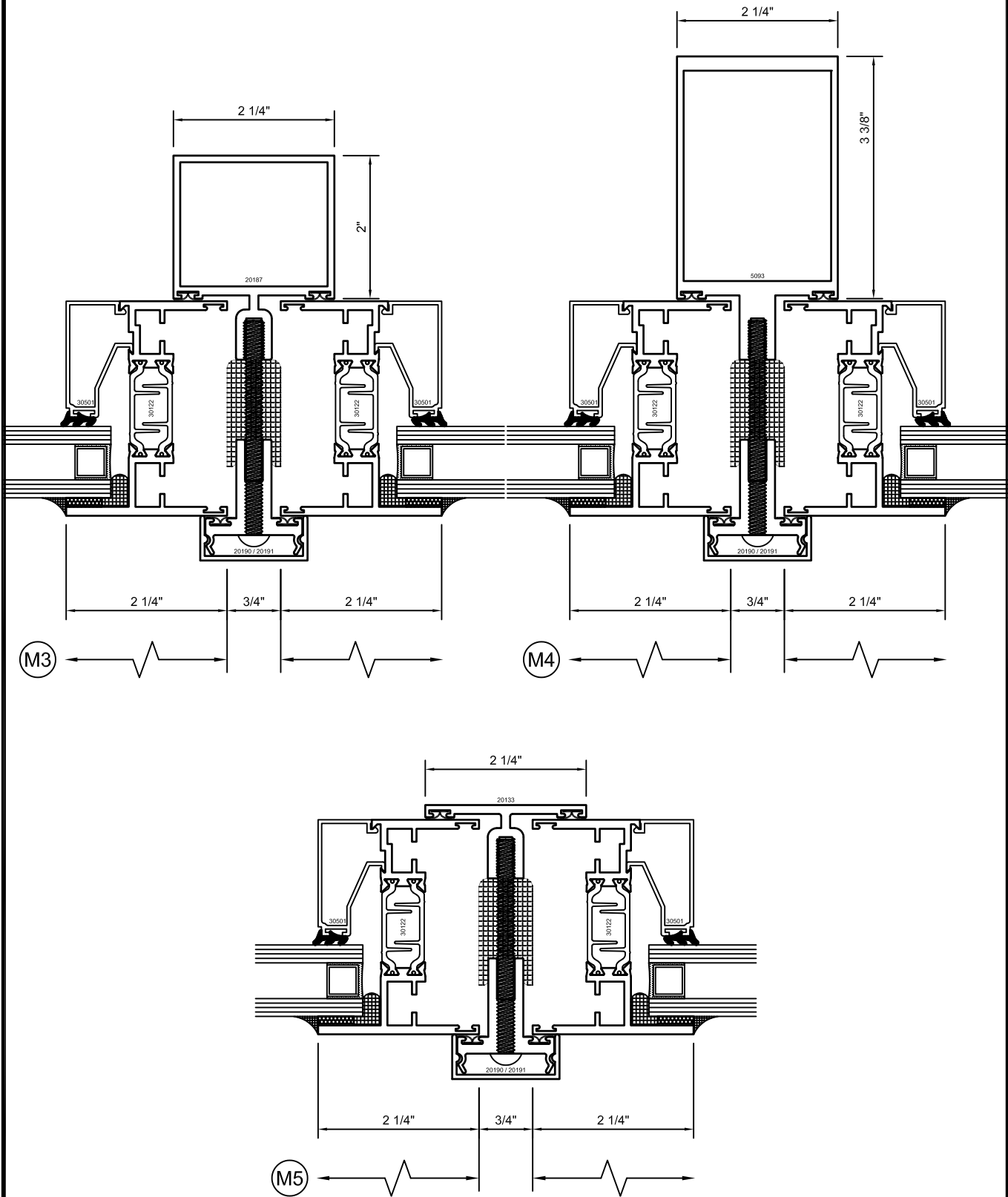


VERTICAL INTERMEDIATES

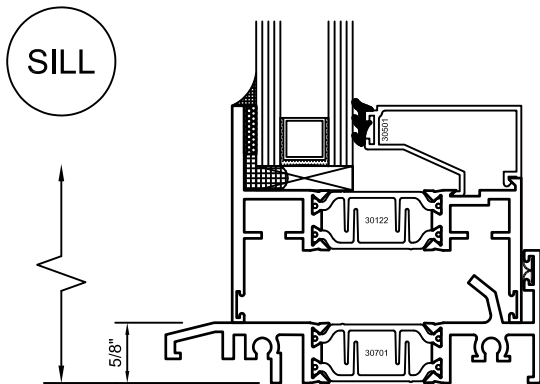
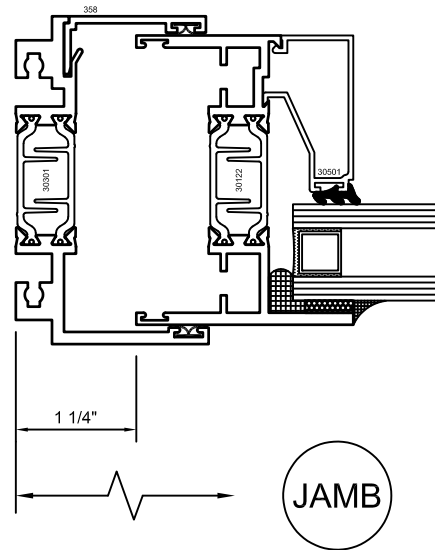
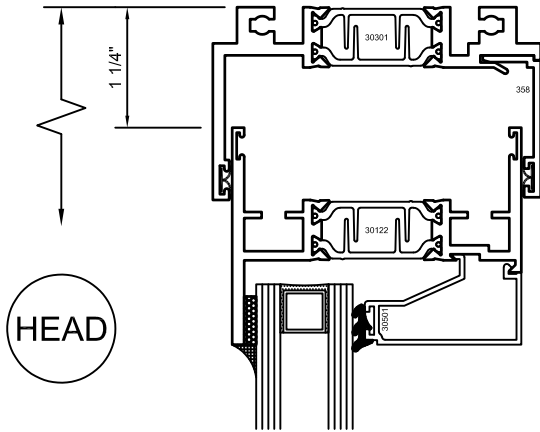
DETAILS WITH SCAB BARS

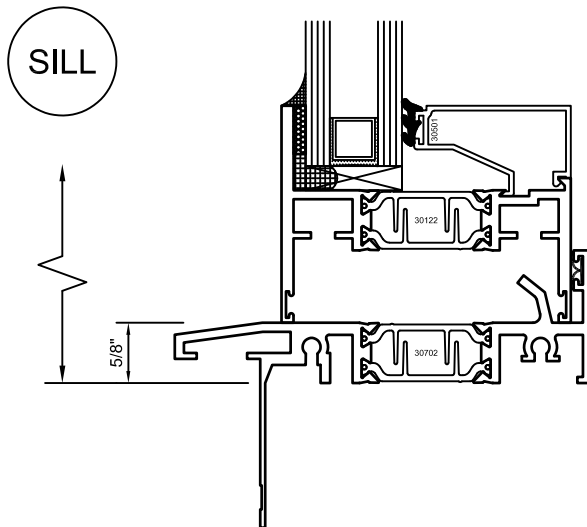
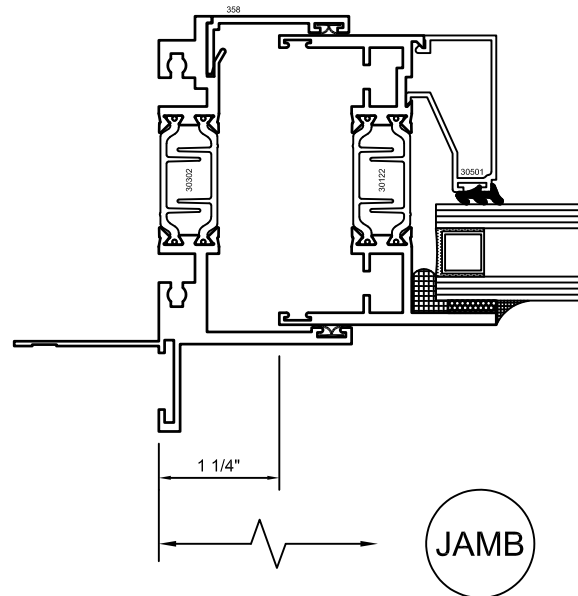
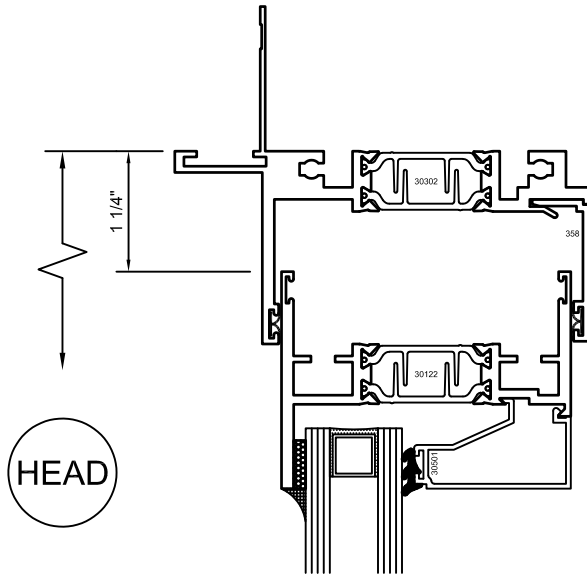


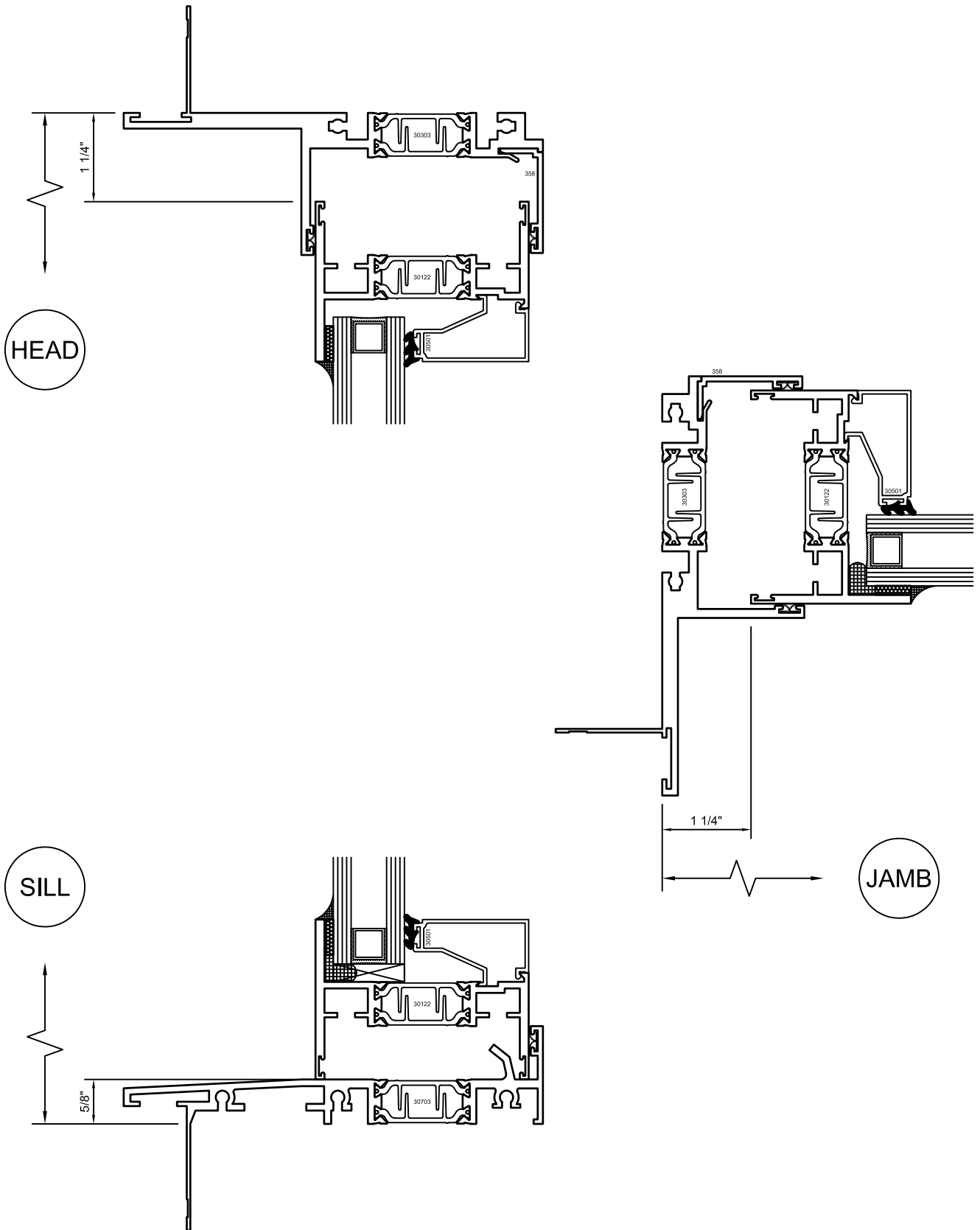


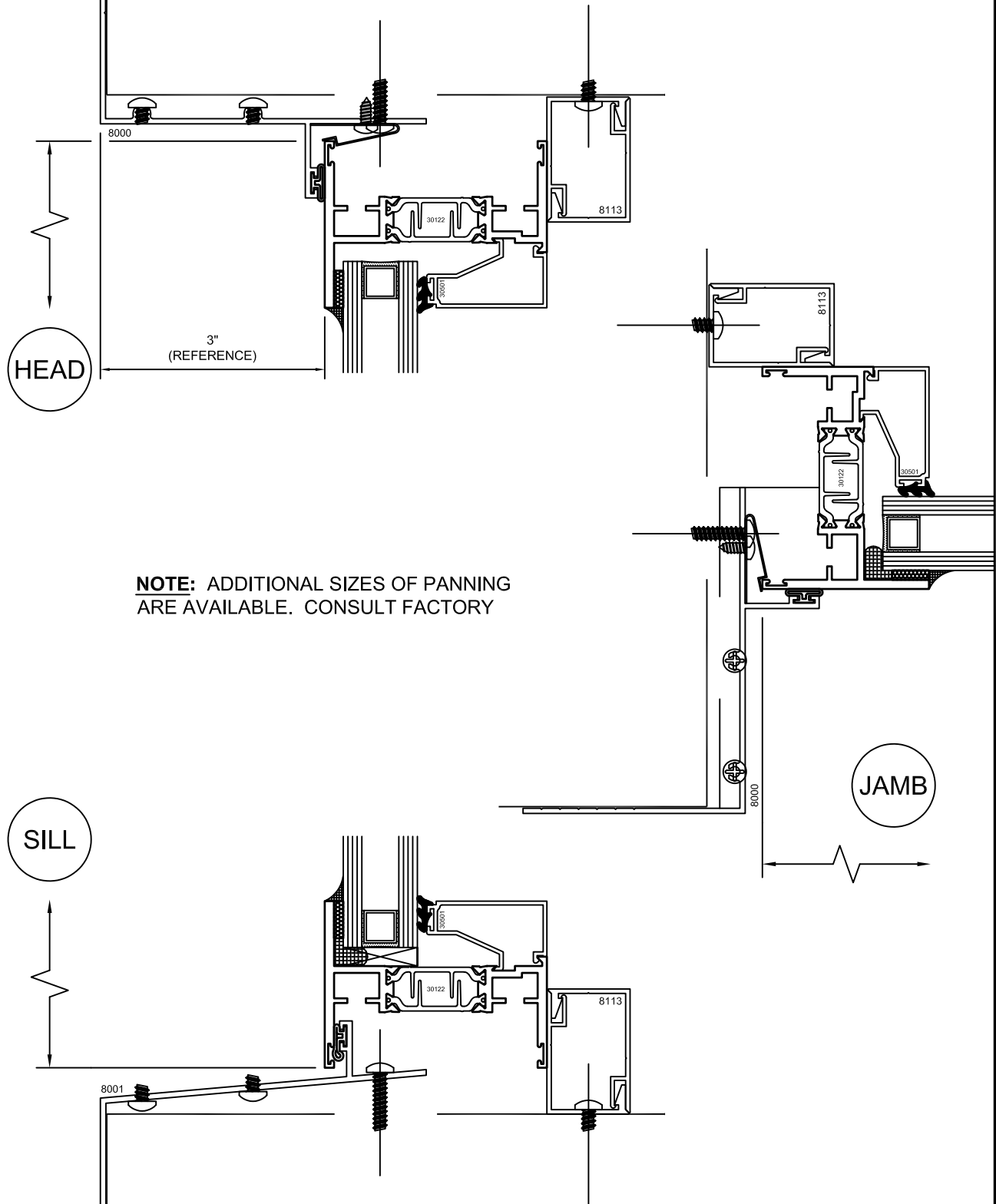








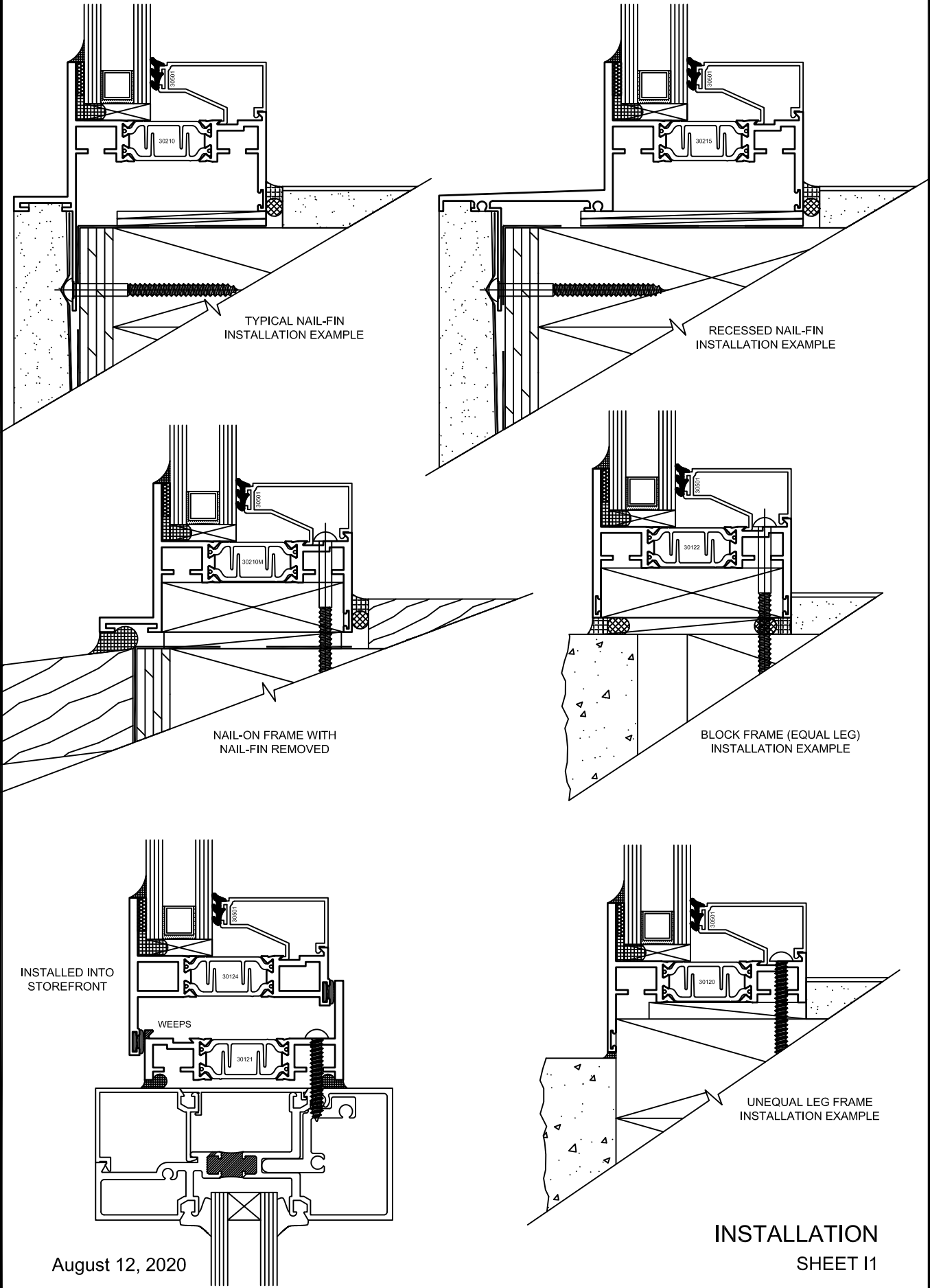




**NOTE:** ADDITIONAL SIZES OF PANNING  
ARE AVAILABLE. CONSULT FACTORY

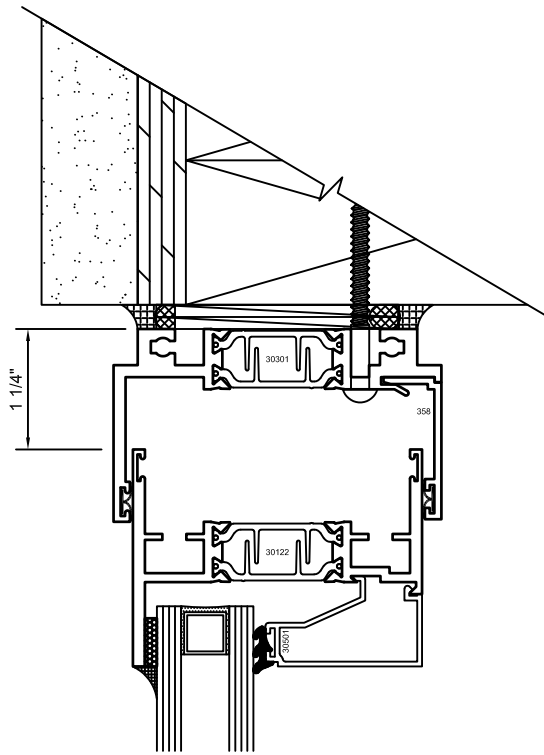
# TORRANCE ALUMINUM

## SERIES 3000 (AW) INSTALLATION EXAMPLES

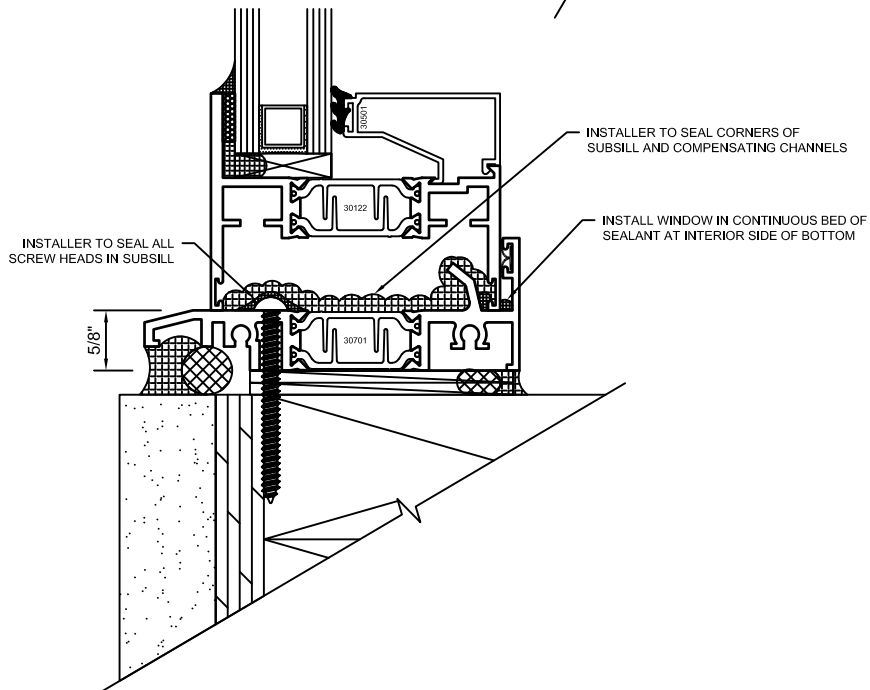
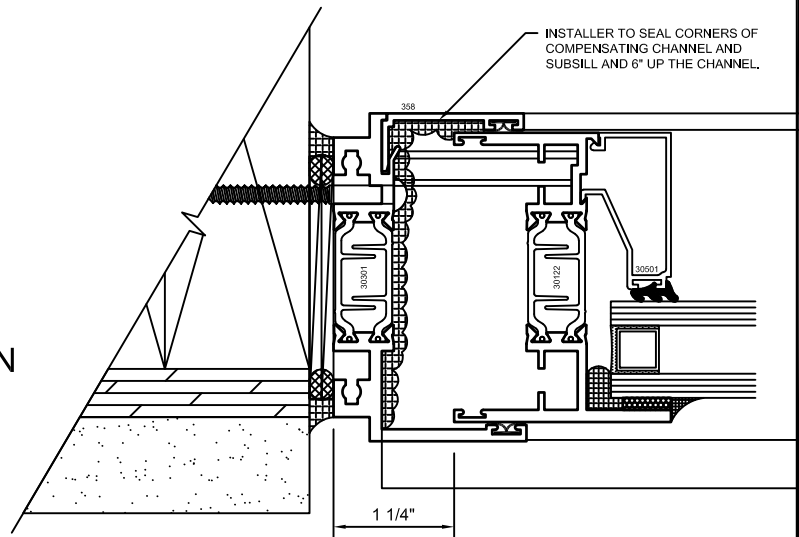


August 12, 2020

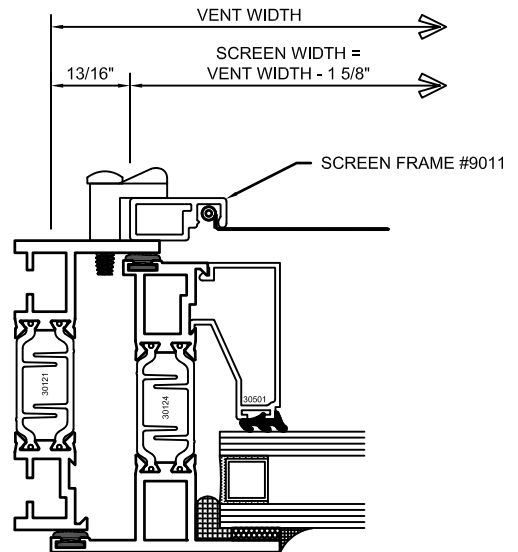
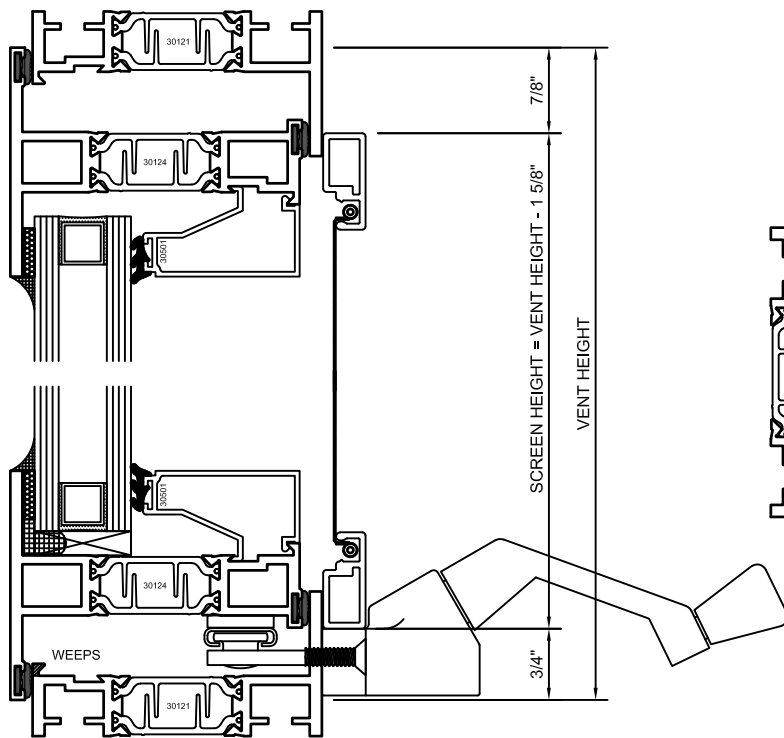
INSTALLATION  
SHEET I1



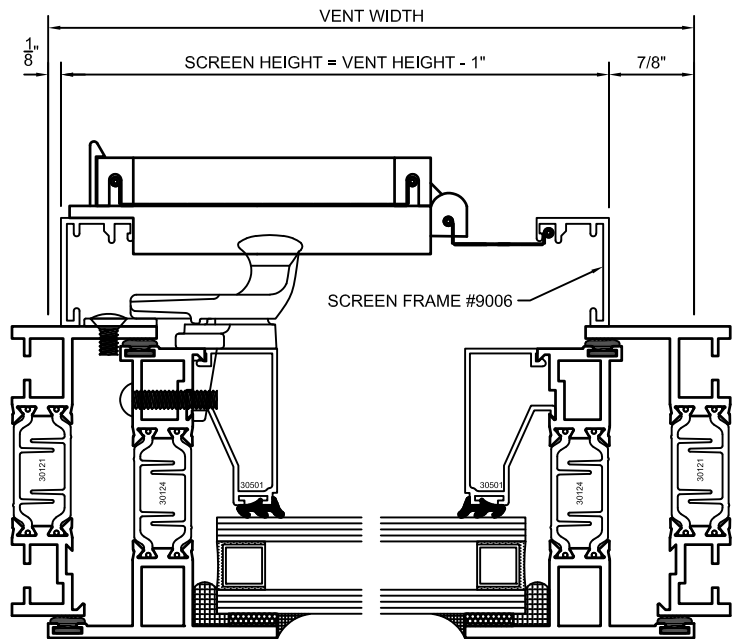
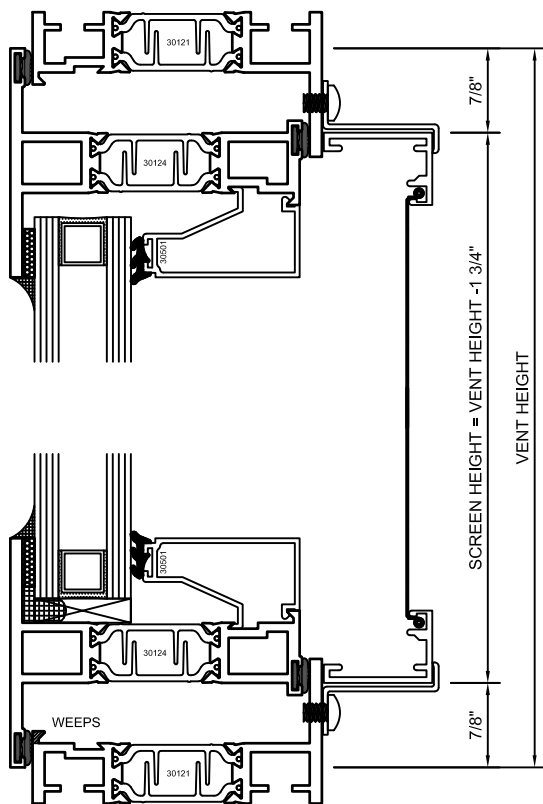
COMP CHANNEL INSTALLATION



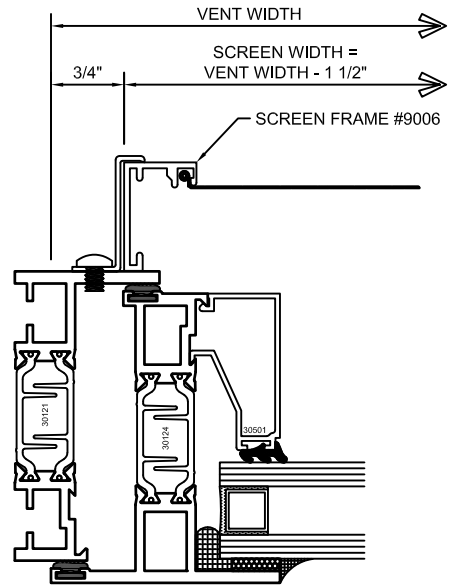
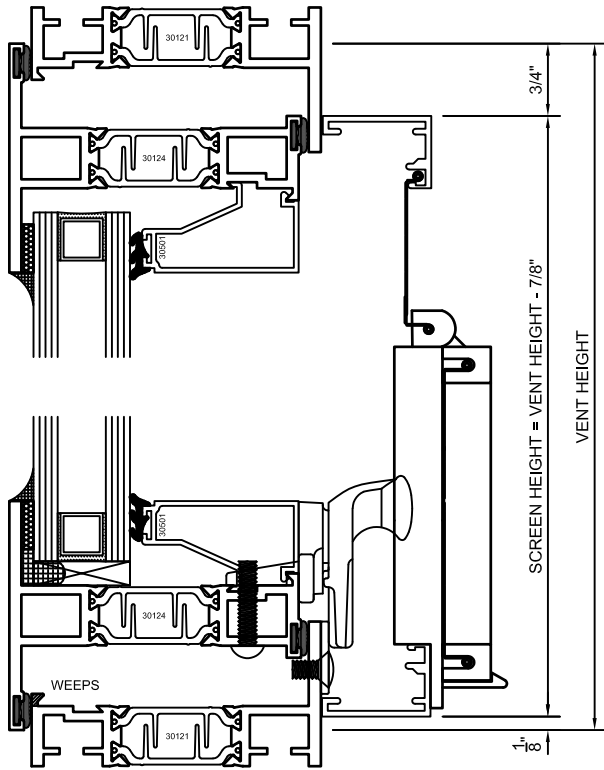
INSTALLATION  
SHEET I2



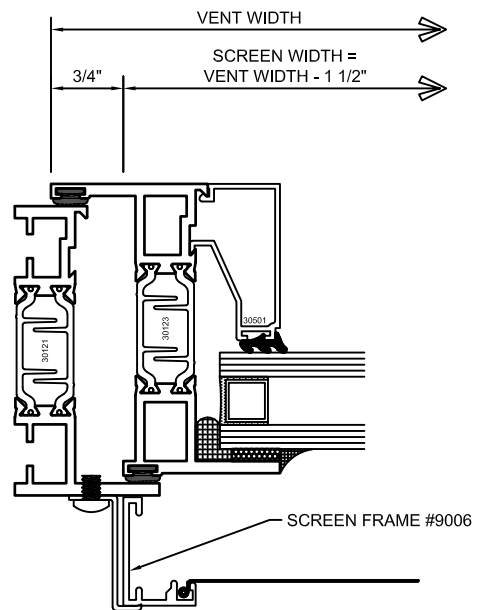
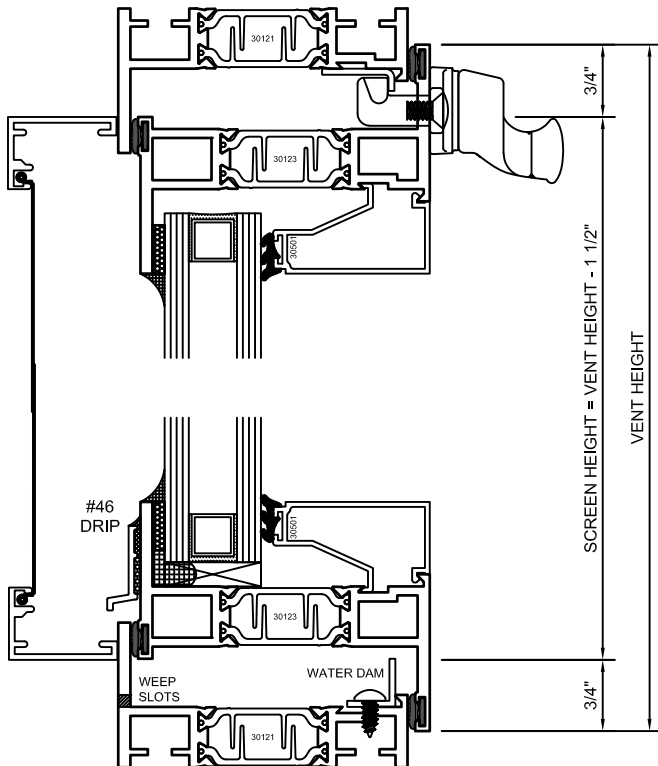
ROTO CASEMENT SCREEN



SIMPLEX CASEMENT SCREEN



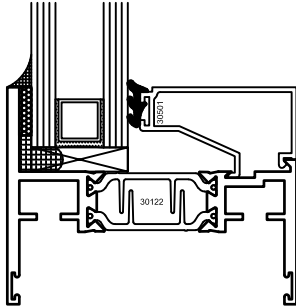
AWNING SCREEN (PROJECTED-OUT)



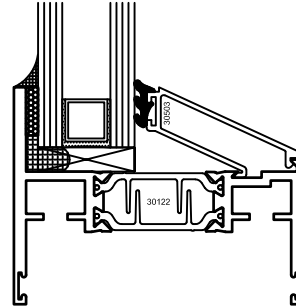
HOPPER SCREEN (PROJECTED-IN)



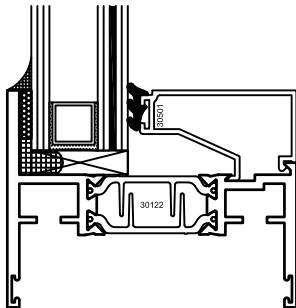
3" THERMALLY BROKEN WINDOW SYSTEM  
(GLAZING OPTIONS)



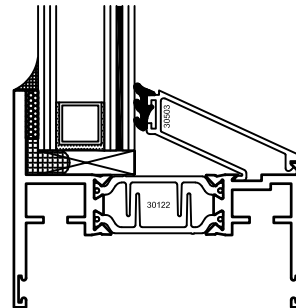
SQUARE BEAD 1" GLASS  
(STC 36)



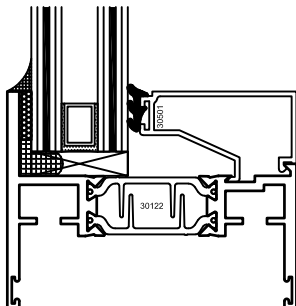
SLOPED BEAD 1" GLASS  
(STC 36)



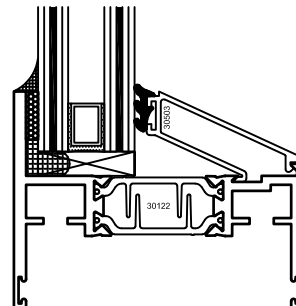
SQUARE BEAD 1" LAMI GLASS  
(STC 42)



SLOPED BEAD 1" LAMI GLASS  
(STC 42)

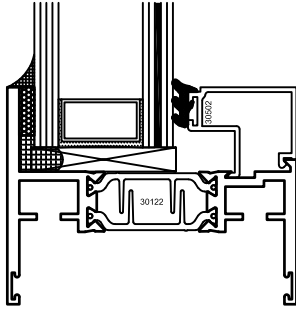


SQUARE BEAD 1" DBL LAMI GLASS  
(STC 42)

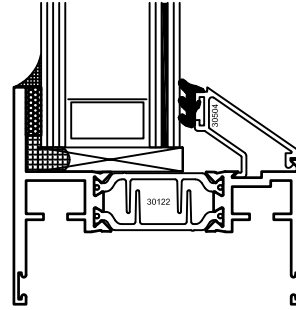


SLOPED BEAD 1" DBL LAMI GLASS  
(STC 42)

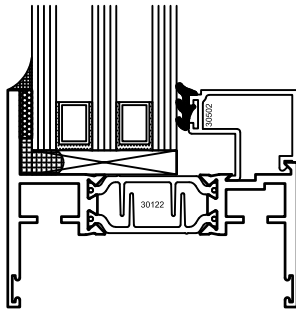
3" THERMALLY BROKEN WINDOW SYSTEM  
(GLAZING OPTIONS)



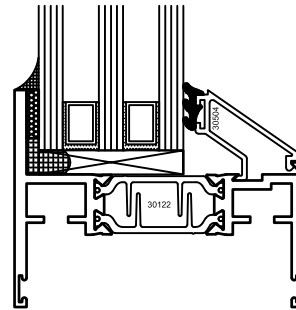
SQUARE BEAD 1 7/16" LAMI GLASS  
(STC 44)



SLOPED BEAD 1 7/16" LAMI GLASS  
(STC 44)



SQUARE BEAD 1 1/2" GLASS  
(TRIPLE GLAZING)



SLOPED BEAD 1 1/2" GLASS  
(TRIPLE GLAZING)

GLAZING OPTIONS REQUIRING A  
NEW GLAZING BEAD CAN BE  
FURNISHED FOR AN UPCHARGE